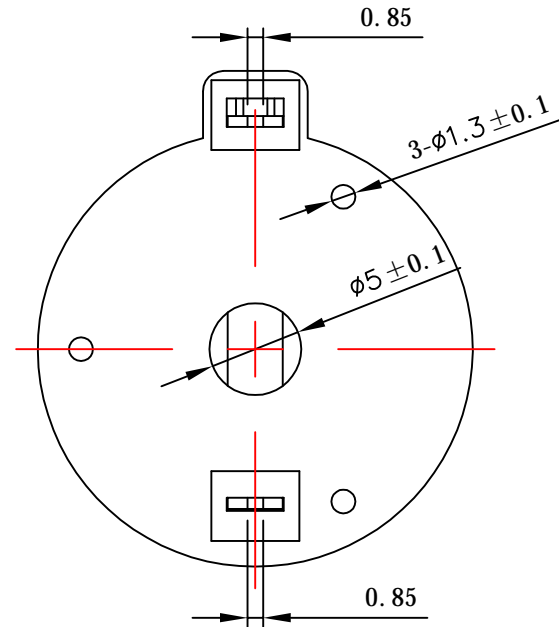
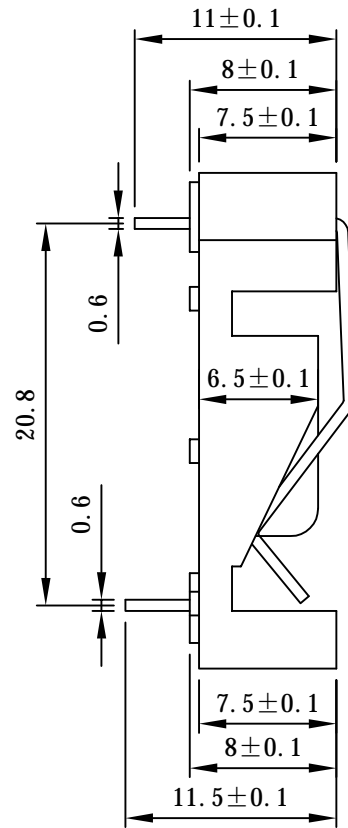
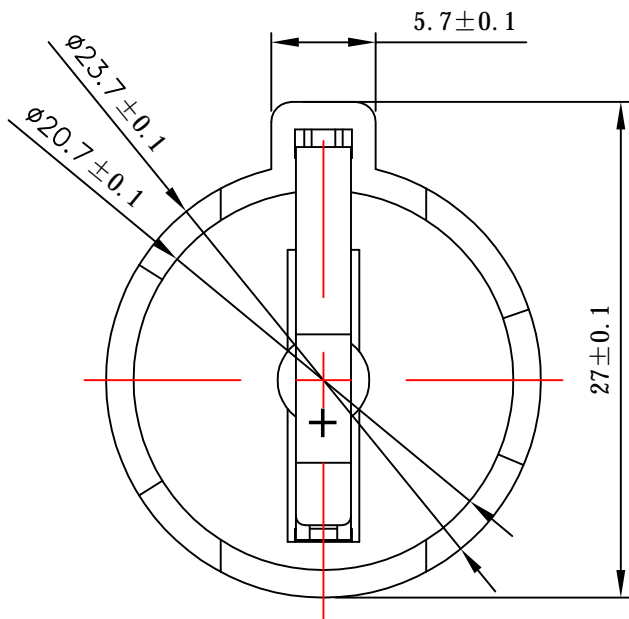
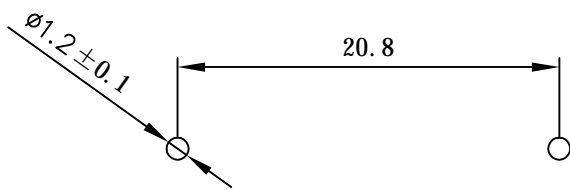


Kinghelm®



Mounting Dimensions



Technical Requirements:
 Appearance: Product surfaces shall be smooth, undamaged, with uniform color and good appearance. No visible defects including dents, flash, short shots, silver streaks, or weld lines. Material: Plastic Part.
 Color: Black.
 Surface: Clean and free of stains or contaminants.
 Dimensions: Inspection results shall conform to drawing specifications and geometric tolerances.

No. of Marked Locations	Change Document Number	Signed By	Date
Designed By		Date	
Checked By		Date	
Approved By		Date	

Shenzhen Kinghelm Electronics Co., Ltd

KH-BS-7

www.kinghelm.net



Unit : mm

Drawing Number	Weight	Scale
		1:1

**Product Name
BS-7**

Page 1 of 1