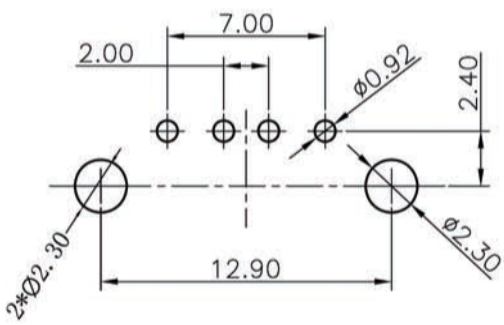
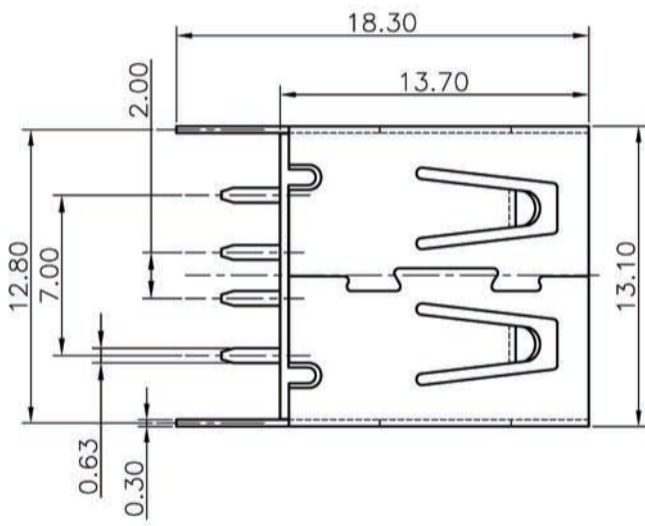
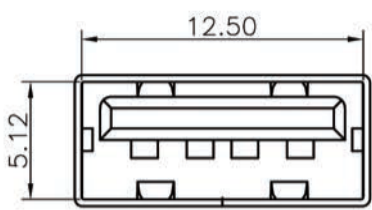
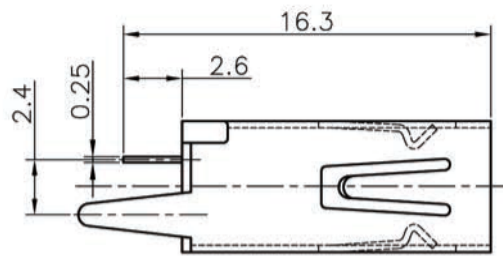


REV.	ECN.NO.	APPD.
A	/	pcy



PCB.LAYOUT
TOL:±0.05

NOTES:

- 1.MATERIAL:
 - 1.1 Housing:thermoplastic plastics
 - 1.2 terminals:Copper Alloy
Gold plated in contact area:
Tin plated in termination
Nickel Plated overall
 - 1.3 Shell:Steel&Copper Alloy
Nickel Plated overall
- 2.ELECTRICAL CHARACTERISTICS:
 - 2.1 Rating Current :1.5 Ampere
 - 2.2 Rating Voltage :30 V Max
 - 2.3 Contact Resistance:30 Milli ohms
 - 2.4 Insulation Resistance:1000 Mega ohms Min.
- 3.MECHANICAL CHARACTERISTICS:
 - 3.1 Connector Mating force: 35N MAX(3.57Kgf)
 - 3.2 Connector Unmating force:10N min(1.02Kgf)
 - 3.3 Durability:1500Cycles.
- 4.ENVIRONMENT CHARACTERISTICS:
 - 4.1 Operating temperature:-0°C to +50°C
 - 4.2 Storage temperature:-20°C to +60°C

U223-051X-XXX0XR

1:Iron alloy Ni plating	1:tray
5:Copper alloy Ni plating	2:Tube
1:Au 1u"	8:Tape&Reel
3:Au 3u"	9:Tape&Reel+Mylar
5:Au 5u"	1:Black
7:Au 10u'	2:White
8:Au 15u"	3.Beige
A:Au 30u"	4.Pure White
	1:PA66
	2:PBT
	6:LCP

TOLERANCE UNLESS OTHERWISE SPECIFIED		SHENZHEN KINGHELM ELECTRONIC CO., LTD.		WWW.BDS666.COM	
.XXX ±0.10	.X ±3'	KH-AF180ZJ-13.7		0755-83044319	
.XX ±0.20	.XX ±2'	APPROVED	PART NAME:	USB AF 180-dgree dip 13.7 terminal bending without crimping	
.X ±0.30		CHECKED	PART No:	U223-051X-XXX0XR	C
DRAWN	pengchaoyong	PROJECTION:	UNIT:	SCALE	SHEET
DATE	2015.01.14		mm	1:1	10F1
					REV. A