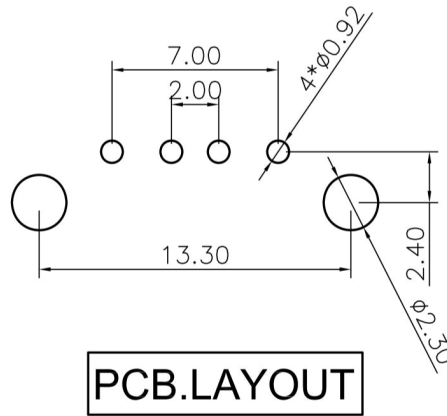
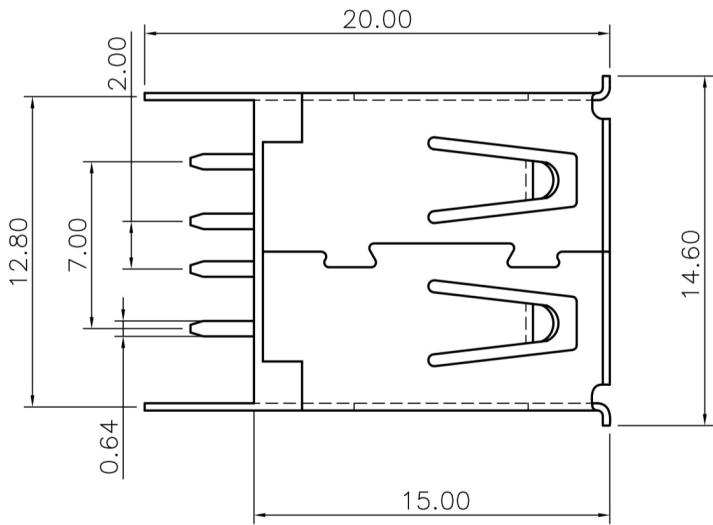
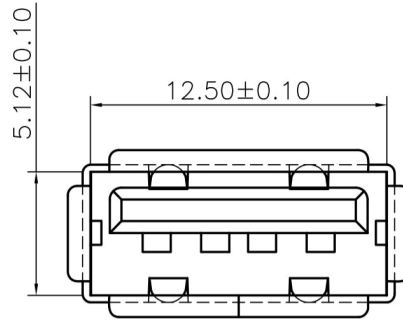
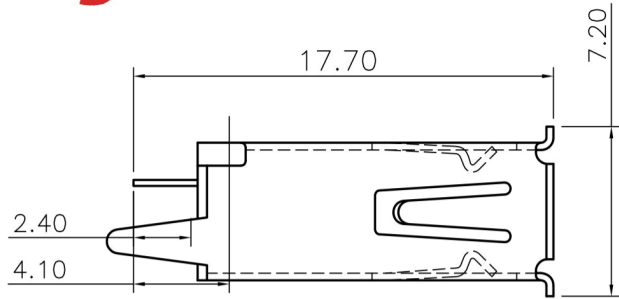


Kinghelm®

REV.	ECN.NO.	APPD.
A	/	pcy



NOTES:

- 1.MATERIAL:
 - 1.1 Housing:thermoplastic plastics
 - 1.2 terminals:Copper Alloy
Gold plated in contact area:
Tin plated in termination
Nickel Plated overall
 - 1.3 Shell:Steel&Copper Alloy
Nickel Plated overall
- 2.ELECTRICAL CHARACTERISTICS:
 - 2.1 Rating Current :1.5 Ampere
 - 2.2 Rating Voltage :30 V Max
 - 2.3 Contact Resistance:30 Milli ohms
 - 2.4 Insulation Resistance:1000 Mega ohms Min.
- 3.MECHANICAL CHARACTERISTICS:
 - 3.1 Connector Mating force: 35N MAX(3.57Kgf)
 - 3.2 Connector Unmating force:10N min(1.02Kgf)
 - 3.3 Durability:1500Cycles.
- 4.ENVIRONMENT CHARACTERISTICS:
 - 4.1 Operating temperature:-0°C to +50°C
 - 4.2 Storage temperature:-20°C to +60°C

U223-031X-XXX0XR

- | | |
|------------------------------|-------------------|
| 1:Iron alloy
Ni plating | 1:tray |
| 5:Copper alloy
Ni plating | 2:Tube |
| 1:Au 1u" | 8:Tape&Reel |
| 3:Au 3u" | 9:Tape&Reel+Mylar |
| 5:Au 5u" | 1:Black |
| 7:Au 10u' | 2:White |
| 8:Au 15u" | 3:Beige |
| A:Au 30u" | 4:Pure White |
| | 1:PA66 |
| | 2:PBT |
| | 6:LCP |

TOLERANCE UNLESS OTHERWISE SPECIFIED		SHENZHEN KINGHELM ELECTRONIC CO., LTD.		WWW. BDS666. COM			
.XXX ±0.10	.X ±0.20	.X ±0.20	.X ±0.30	KH-AF180ZJ-15-JB		0755-83044319	
APPROVED		PART NAME:	USB AF 180-dgree dip 15.0 terminal bending				
CHECKED		PART No:	U223-031X-XXX0XR				C
DRAWED	pengchaoyong	PROJECTION:	UNIT:	SCALE	SHEET	REV.	
DATE	2015.01.12		mm	1:1	10F1	A	