

Kinghelm®

Model: KH-HDMI-19P-Cu

REV.	DESCRIPTION	NAME	DATE
A	NEWS ISSUE	LXH	2018/01/18

Description:

1. Material:

Core:LCP, UL94V-0; COLOR; BLACK

Terminal:C2680

Housing:SPCC/C2680

2.Electroplating Description:

Terminal:Gold plating in contact area G.F

Tin plating in solder area100U"

Nickel bottom in all surface areas50U"

Housing: Surface nickel plating100U"

3.Specification Description:

Electrical Propertie :

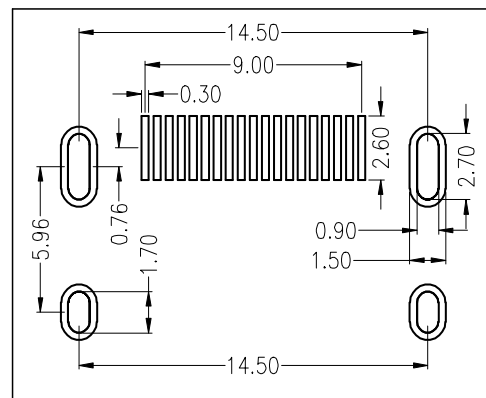
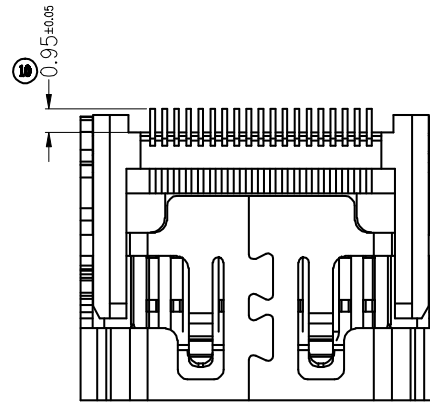
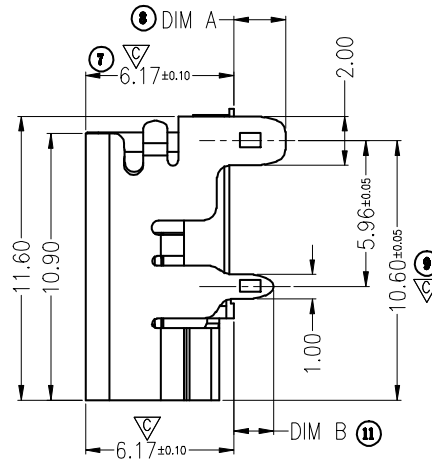
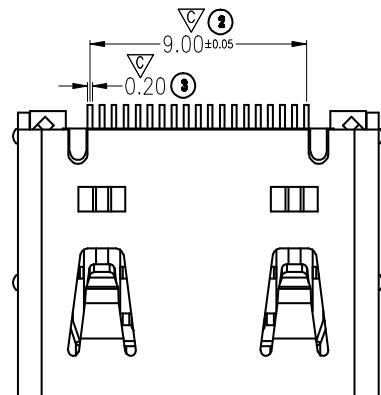
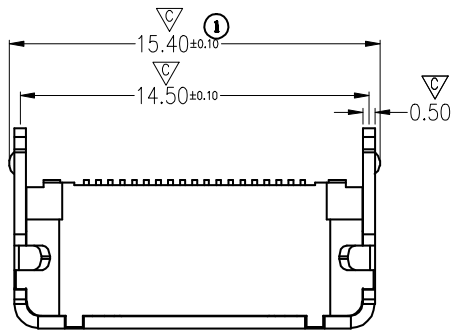
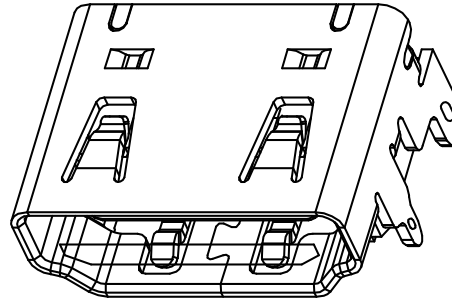
Insulation Resistance (EIA-364-21) :100M

MIN. AT 500V/DC FOR 1MINUTE.

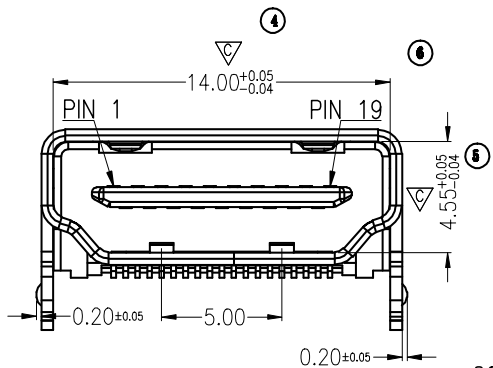
Contact Resistance (EIA- 364- 06) 30M MAX.

Withstand Voltage:(EIA- -364- -20) NO

DISCHARGE,FLASHOVER OR BREAKDOWNAT 500V/ AC 1MINUTE.

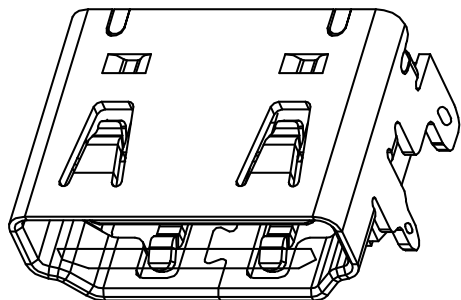


RECOMMENDED P.C.B HOLE LAYOUT
COMPONENT SIDE VIEW(TOLERANCE: +/-0.05)

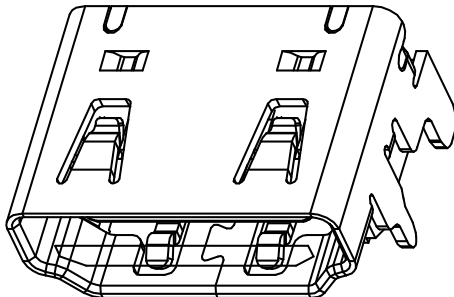


TOLERANCE UNSPECIFIED		SHENZHEN KINGHELM ELECTRONIC CO., LTD.		WWW.BDS666.COM	
.0	±0.35	KH-HDMI-19P-Cu		0755-83044319	
.00	±0.25	TITLE: HDMI A TYPE On-board type			
.000	±0.15	SIZE:A4	UNIT:mm.	PART. NO:	HAXX-XXXX-X1-1
X.*	±2.00*	CHECKED	SCALE: 1:1	PROJECTION	REV.: A
CUSTOMER DRAWING		DATE	DWG	PATH	C00-0000-0024
DRAWN	LXH	DATE	2018/01/18	PATH	1/3
CHECKED	LCY	DATE	2018/01/18		
APPROVED	LCY	DATE	2018/01/18		

Kinghelm®



脚有凸点



脚无凸点

4. P/N:

HA02-XXXX- X1-1

01代表铁壳
02代表铜壳

N1代表外壳镀镍
F1代表外壳镀金

外壳脚规格:

规格	DIM A	DIM B	外壳脚凸点
1	2.16	1.66	无凸点
2	2.16	1.66	带凸点
3	1.50	1.50	无凸点
4	2.20	2.20	无凸点
5	1.50	1.50	带凸点

L1代表端子半金锡0.5U"
L2代表端子半金锡1U"
L3代表端子半金锡3U"
Q3代表端子接触区镀金3U", 焊脚G/F

PIN	Signal Assignment
1	TMDS Data2+
3	TMDS Data2-
5	TMDS Data1 Shield
7	TMDS Data0+
9	TMDS Data0-
11	TMDS Clock Shield
13	CEC
15	SCL
17	DDC/CEC Ground
19	Hot Plug Detect

PIN	Signal Assignment
2	TMDS Data2 Shield
4	TMDS Data1+
6	TMDS Data1-
8	TMDS Data0 Shield
10	TMDS Clock+
12	TMDS Clock-
14	Utility
16	SDA
18	+5V Power

TOLERANCE UNSPECIFIED

.0	±0.35
.00	±0.25
.000	±0.15
X*	±2.00*

CUSTOMER DRAWING

深圳市金航标电子有限公司 WWW.BDS666.COM

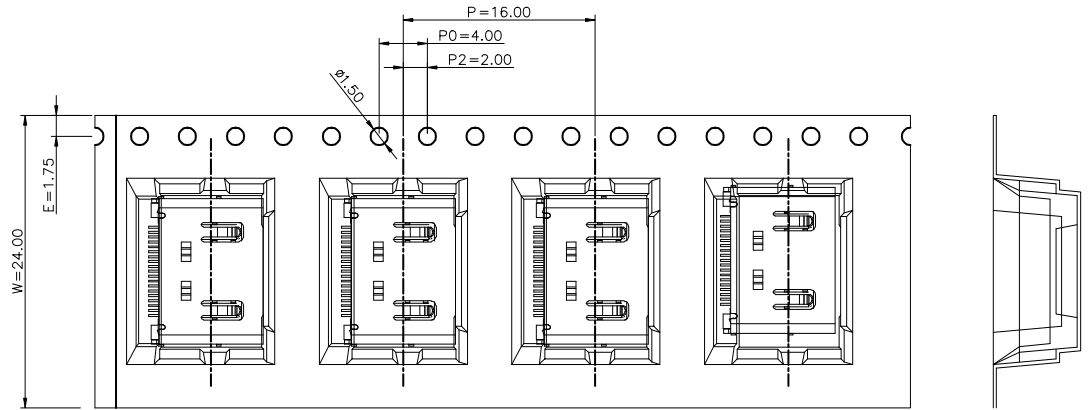
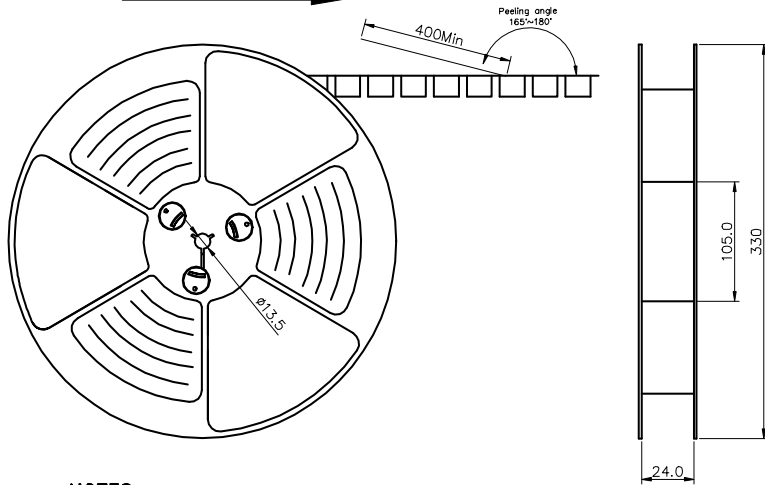
KH-HDMI-19P-Cu 0755-83044319

TITLE: HDMI A TYPE 板上型

DRAWN DATE	LXH 2018/01/18	SIZE:A4	UNIT:mm.	PART. NO:	HAXX-XXXX-X1-1
CHECKED DATE	LCY 2018/01/18	SCALE: 1:1	PROJECTION	REV.:	A
APPROVED DATE	LCY 2018/01/18	DWG PATH	C00-0000-0024		PATH 2/3

Kinghelm®

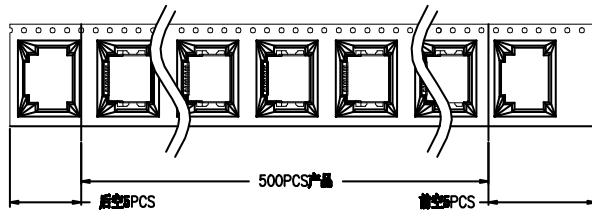
出料方向
PULL OUT DIRECTEON



NOTES

1. 帶子引導長度
LEAD TAPE LENGTH

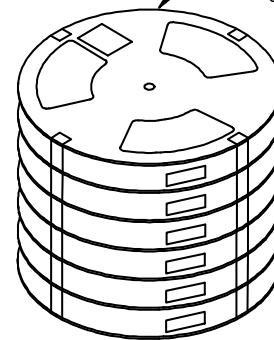
出料方向
PULL OUT DIRECTEON



2. 出貨運輸過程中一定注意：
THIS REQUIREMENT SHOULD BE APPLIED AT SHIPMENT：
卷帶在運輸過程中不能散開
PEELING OFF SHOULD NOT BE ALLOWED DURING TRANSPORTATION

TAPE & REEL 10 PCS

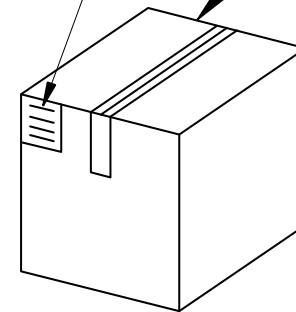
1 REEL
= 500 PCS



BOX

DIMENSIONS:
340X340X290

LABEL



1 CARTON
= 10 REELS
= 5000 PCS

TOLERANCE UNSPECIFIED	
.0	±0.35
.00	±0.25
.000	±0.15
X	±2.00°
CUSTOMER DRAWING	

深圳市金航标电子有限公司		WWW.BDS666.COM
KH-HDMI-19P-Cu		0755-83044319
TITLE: HDMI A TYPE 板上型		

包裝明細表 (The detail of the packing carton)						
產品料號 (Product No.)	包裝容量 (Packing Capacity)			重量 Weight (Kg)		
	pcs/box	boxs/Carton	Pcs/Box	N.W./Pcs	N.W./Box	G.W./Box
HAXX-XXXX-X1-1	500	10	5000	—	—	—

DRAWN DATE	LXH 2018/01/18	SIZE:A4	UNIT:mm.	PART. NO:	HAXX-XXXX-X1-1	
CHECKED DATE	LCY 2018/01/18	SCALE: 1:1	PROJECTION			REV.: A
APPROVED DATE	LCY 2018/01/18	DWG PATH	C00-0000-0024		PATH 3/3	