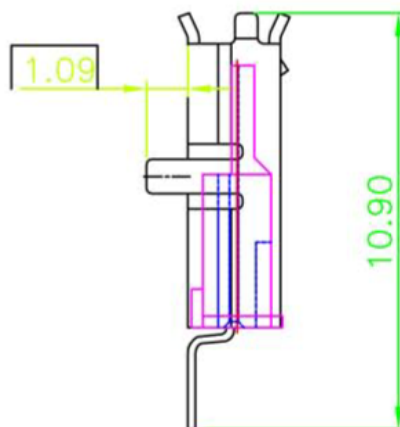
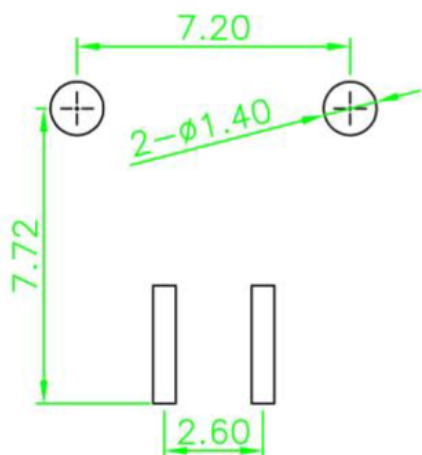
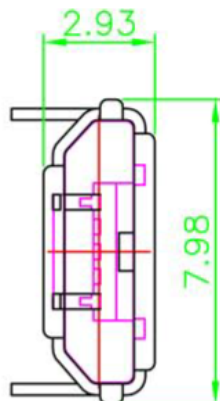
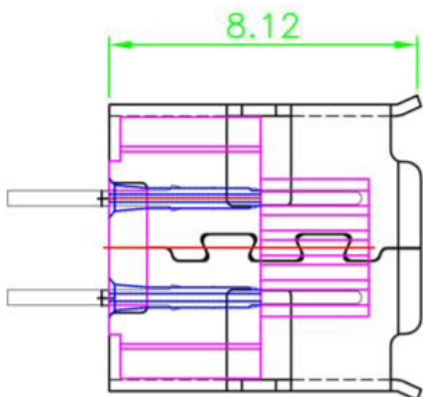


MATERIALS:

PLASTIC HOUSING: ENGINEERING THERMOPLASTIC
 FLAMMABILITY RATING UL 94V-0.

CONTACTS: PHOSPHOR BRONZE
 PLATING: GOLD PLATING OVER NICKEL IN CONTACT.
 TIN PLATING OVER NICKEL IN SOLDER AREA.
 SHIELDED: BRASS WITH NICKEL PLATED



Kinghelm[®]

SHENZHEN KINGHELM ELECTRONIC CO., LTD.

WWW.BDS666.COM

Model: KH-MICRO-SMT.J-2P

0755-83044319

UNIT	SCALE	SHEET
mm	5/1	1 of 1

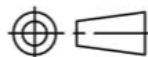
TITLE :

DRAWN BY	APPROVED BY
Alan	Alan
101201	101201

Micro USB(2Pin)

General Tolerance

- .XXX	±0.10
- .XX	±0.25
- .X	±0.38
X	±0.50
ANG	±3°



DRAW NO :

U301XXXXXX

REV.
A

REV	DESCRIPTION	DATE
-----	-------------	------