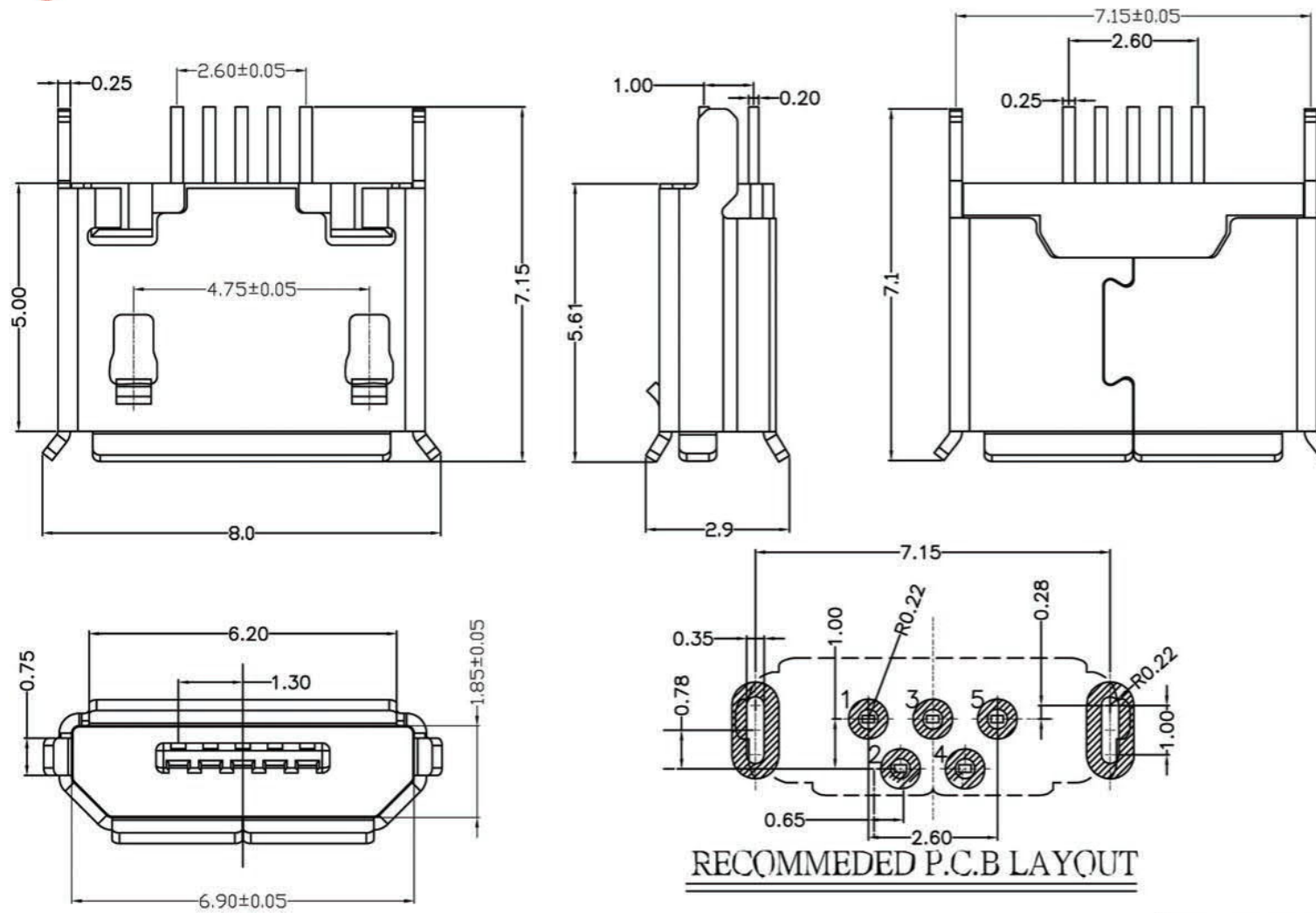




Model: KH-MICRO5P-L



- Remark:
- Product specification:
    - Insertion Force: 35N MAX.
    - Withdrawal Force: 10N MIN. INITIAL 8-20N AFTER
    - Rated Current: 1.0A
    - Rated Voltage: 30V
    - Durability: 3000 CYCLES MIN.
    - Withstand Voltage: 100V AC MIN.
    - Contact Resistance: 30mQ MAX. INITIAL; 40mQ MAX
    - Insulation Resistance: 100MQ MIN
    - Working Temp: -30° To +80°
  - Material:
    - Rubber Core LCP UL94V-0
    - Terminal C5191, Ni, gold-plating 1 μ"
    - Housing: sUS
  - The materials used must meet RoHS requirements

TOLERANCE UNLESS OTHERWISE SPECIFIED
.XXX ±0.10
.XX ±0.25
.X ±0.35
.X' ±3°

PART NAME:	MICRO USB B TYPE 180°	
PART No:	91-US10-XXX	C
SHENZHEN KINGHELM ELECTRONIC CO., LTD.		WWW.BDS666.COM
KH-MICRO5P-L		0755-83044319

REV:	DESCRIPTION	REV BY	APPROVED	DATE	MATL:	SEE SPECIFICATION	APPROVED
					PROJECTION:	THIRD ANGLE PROJECTION	CHECKED
					UNIT:	SCALE	REV(NO)
					MM	1:1	A
						SHEET	DRAWN
						1 OF 1	jack
						DATE	2013. 02. 07