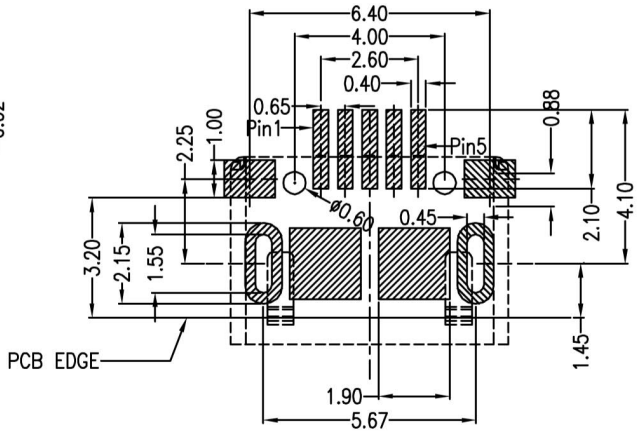
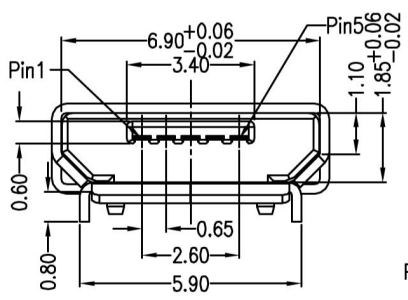
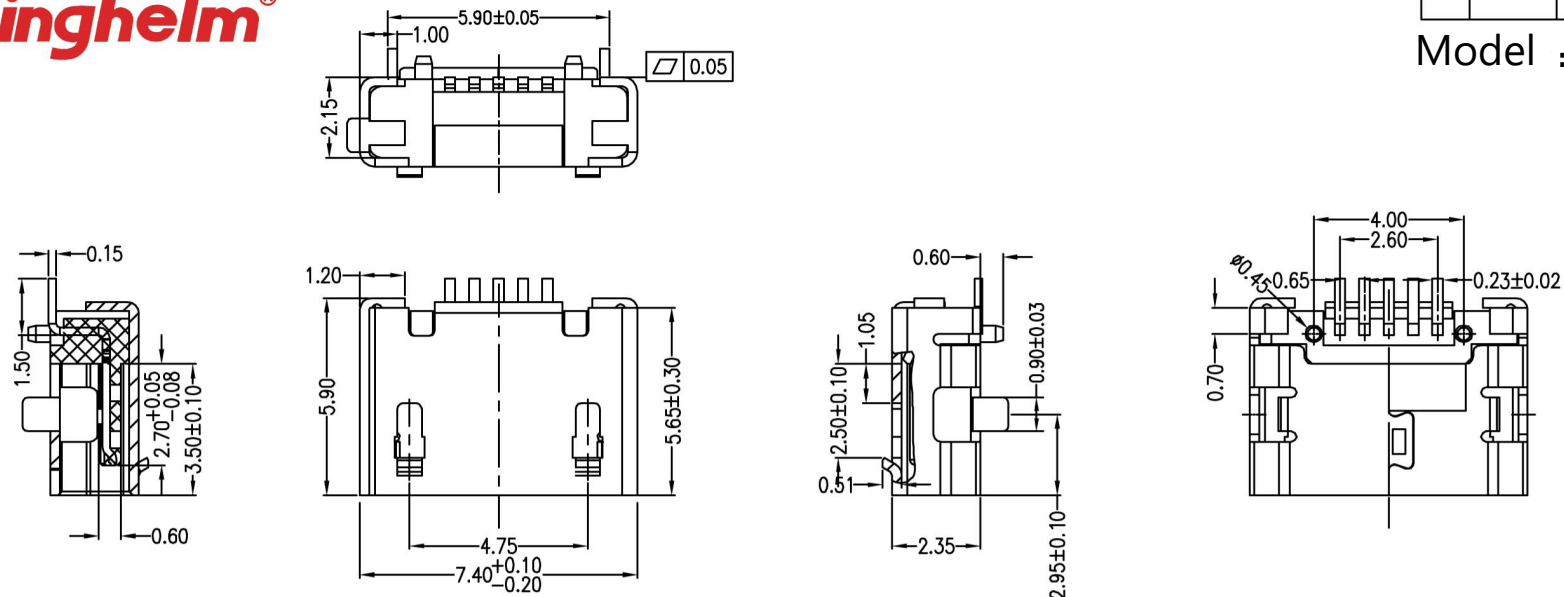


Kinghelm®

REV.	ECN NO	LOCATIONS	DESCRIPTION	DATE

Model : KH-MICRO5P-ZH



- Note:
- Material:
 - Housing: High temperature thermoplastic with g.f,UL94v-0
 - Contact: copper alloy,t=0.20mm
 - Shell: copper alloy,t=0.25mm
 - Specification:
 - Current rating: 1 A Max.
 - Dielectric withstanding voltage: 100 V(ac) for 1 min.
 - Contact resistance: 50 mW Max.
 - Insulation resistance: 100 MW Min.
 - Total mating force: 3.57 Kgf Max.
 - Total unmating force: 1.0 Kgf Min.0.81~2.05 Kgf Min.after 10000 insertion/extraction cycles
 - Temperature range: -30°C~80°C

A 01 S B X X X X X X 1-067
 ① ② ③ ④ ⑤ ⑥ ⑦ ⑧ ⑨ ⑩ ⑪ ⑫ ⑬

1. Part No.	A:Finished product	4. Housing Electroplating	0:鍍銀; 1: Ni 100%; 2:鍍金100%; 3:鍍金100% (圓); 4:鍍金100%
2. Product series	01: micro usb spin	7. Terminal Material	4: 05191R-EH 2: 02880R-EH
3. Product category	s: Receptacle	8. Terminal Plating	0:鍍銀; 1:鍍金; 2:鍍金; 3:鍍金; 4:鍍金; 5:鍍金; 6:鍍金; 7:鍍金; 8:鍍金; 9:鍍金; 10:鍍金; 11:鍍金; 12:鍍金; 13:鍍金
4. Product type	B:B TYPE	9. Body material	1: LCP
5. Housing Material	1: C2680R-H	10. Body color	B: Black W: White
		11. Packaging method	1: DIP
		12. Type of lower plate	
		13. Detail flow	007 鍍銀 USB 5S B TYPE 鍍銀全插(半角)型

PART NO:		MATERIAL: SEE NOTE	SHENZHEN KINGHELM ELECTRONIC CO., LTD.	WWW. BDS666. COM
MODEL NO: XX		FINISH: SEE NOTE	KH-MICRO5P-ZH	0755-83044319
UNIT: MM	SIZE: A4	COLOR: SEE NOTE	TITLE: PB with fillet 5.9, guide position-free long pin with columns	
TOLERANCE UNSPECIFIED		DR:	DWG NO:	REV: A
.x	0.25	CHK:	SCALE: 5:1	DATE:
.xx	0.20	APP:		
.xxx	0.1			
Ang.	2°			