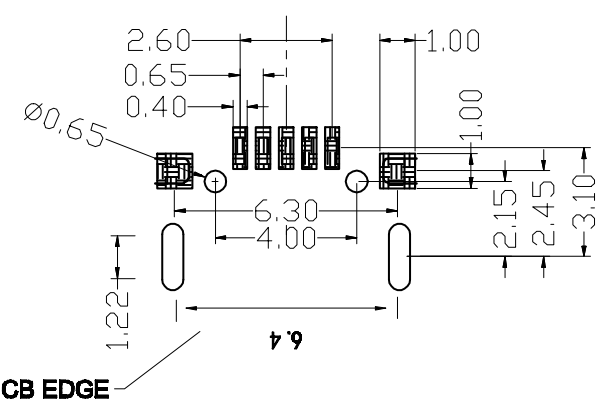
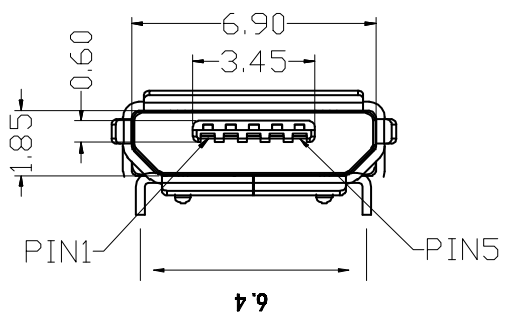
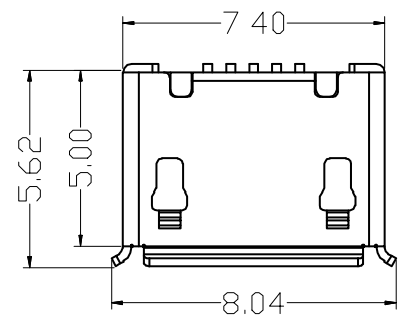
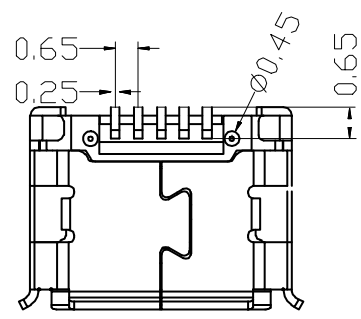
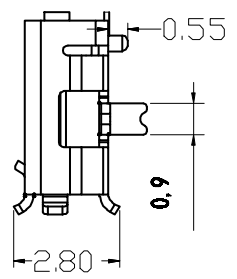
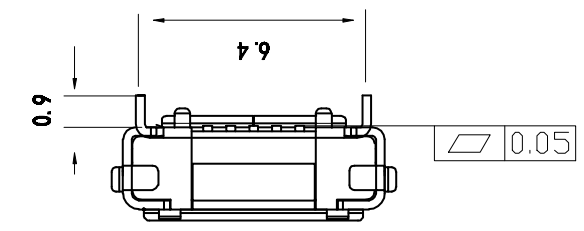


# Kinghelm®

REV. LTR.	DATE	REV.	REVISION NOTES	DATE
-----------	------	------	----------------	------



**Specifications:**

**Electrical:**

- Current Rating  
1.0A/contact terminal
- Voltage Rating  
30V DC

- Contact Resistance  
50 milliohms MAX

- Dielectric Withstanding Voltage:  
300 V AC AT Sea Level

- Insulation Resistance:  
100MEGA ohms MIN

**Mechanical:**

- Connector Mate and Unmate Force  
Mate force: 3.0kgf (MAX)

- Unmate force: 0.7kgf (MIN)

- Terminal Retention  
0.5kgf (MIN)

**Material:**

**Housing:**

- Ring Temperature Thermoplastics,  
UI 94V-0 LCP Black

- Contact: Copper Alloy H65 EH

- Shell: H 65

**Finish:**

- Contact: Plated Gold in Mating Area;  
Tin On Solder Tails

**Shell:**

- Nickel Plating
- Can automatically load tin after passing through the furnace

GENERAL TOLERANCES			
DIMENSION	I	II	III
X.XXX	±0.01	±0.02	±0.03
X.XX	±0.03	±0.05	±0.08
X.X	±0.05	±0.10	±0.12
X.	±0.10	±0.15	±0.20
ANGLE	±0.5°	±1.0°	±2.0°

TITLE	MICRO USB 6S B TYPE 6.4MM 前置焊点 卷边 有柱
REV. NO.	XXXXXXXX
Drawn No.	
Drawn Name	
Scale	1:1
Unit	MM

SHENZHEN KINGHELM ELECTRONIC CO., LTD.	
WWW.BDS666.COM	
KH-MICRO6.4ZH-5PJ	
0755-83044319	
Sheet	1/1
Path	

PLATED	
TOLERANCE	REV. A/0
MATERIAL	