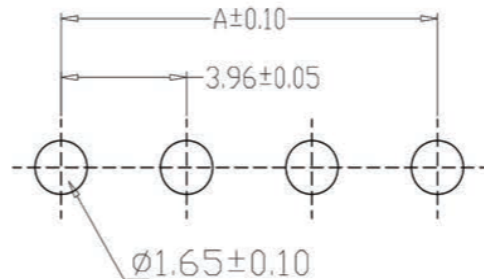
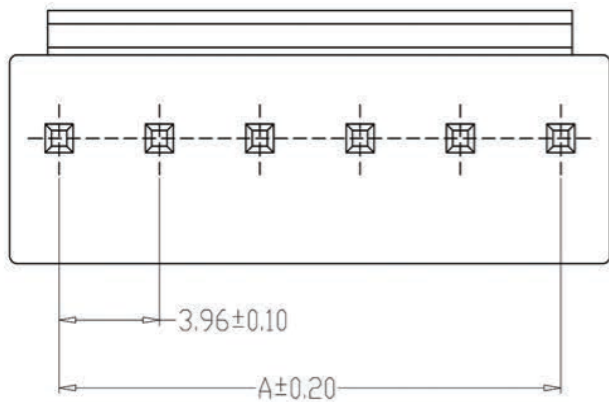


SPECIFICATIONS

1. Current Rating: 7A AC, DC
2. Voltage Rating: 250V AC, DC
3. Temperature Range: $-25^{\circ}\text{C} \sim +85^{\circ}\text{C}$
4. Contact Resistance: $20\text{m}\Omega$ Max
5. Insulation Resistance: $1000\text{M}\Omega$ Min
6. Withstanding Voltage: 1500V AC/minute
7. Material: Wafer Nylon66, UL94V-0
PIN Brass Tin-plated



PCB LAYOUT

No.	Unit (mm)	
	A	B
A3961-02A	3.96	7.92
A3961-03A	7.92	11.88
A3961-04A	11.88	15.84
A3961-05A	15.84	19.80
A3961-06A	19.80	23.76
A3961-07A	23.76	27.72
A3961-08A	27.72	31.68
A3961-09A	31.68	35.64
A3961-10A	35.64	39.60
A3961-11A	39.60	43.56
A3961-12A	43.56	47.52

DRAWN	DESCRIPTION	DATE	GENERAL TOLERANCE		DRAWING	Qian Yuesheng 2013. 07. 01	PART NO.	A3961-NA		REV.	A
			$X \pm 0.25$	$X \pm 2'$		Zhang Ming	TITLE	WAFER DIP TYPE		SHEET	1/1
			$.X \pm 0.20$	$.X \pm 1'$	CHECK	2013. 07. 03	CUTM. NO.				
			$.XX \pm 0.15$	$.XX \pm 0.5'$	APPROVAL	Zhang Ming 2013. 07. 05	SHENZHEN KINGHELM ELECTRONIC CO., LTD.		WWW.BDS666.COM		
			$.XXX \pm 0.10$	$.XXX \pm 0.5'$	UNITS	MM	SCALE	1:1		KH-VH-10P-Z 0755-83044319	