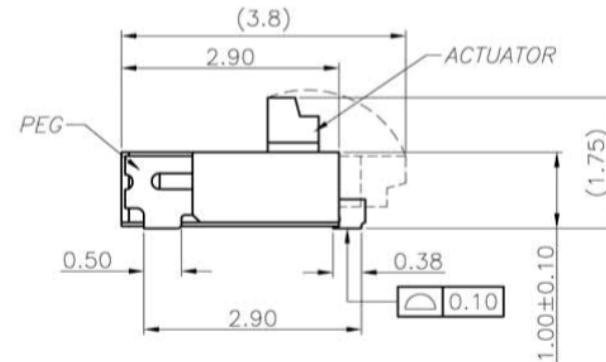


NOTE:

- MATERIAL:**  
 HOUSING: HIGH TEMPERATURE THERMOPLASTIC(UL94V-0), COLOR: NATURAL.  
 CONTACTS: COPPER ALLOY.  
 PEG: COPPER ALLOY.  
 ACTUATOR: HIGH TEMPERATURE THERMOPLASTIC(UL94-V0).
- RATING:**  
 OPERATING VOLTAGE: 50Vrms AC.  
 CURRENT RATING: 0.5A.  
 OPERATING TEMPERATURE: -55°C~+85°C.  
 OPERATING HUMIDITY RANGE: RELATIVE HUMIDITY 90% MAX.(NO CONDENSATION)  
 STORAGE TEMPERATURE RANGE: -10°C~+50°C.  
 STORAGE HUMIDITY RANGE: RELATIVE HUMIDITY 90% MAX.(NO CONDENSATION)
- PART No:** FP243A-0XX X 1 X M

PIN NO. [ ] "A" WITHOUT LOGO  
 CONTACTS PLATING: [ ] "O" WITH LOGO  
 G: Au 1~3u"  
 T: Au 3u"  
 A: Au 5u"  
 1: Au 10u"  
 3: Au 30u"  
 (For more than or equal to 08 pins)



SHENZHEN KINGHELM  
ELECTRONIC CO., LTD.

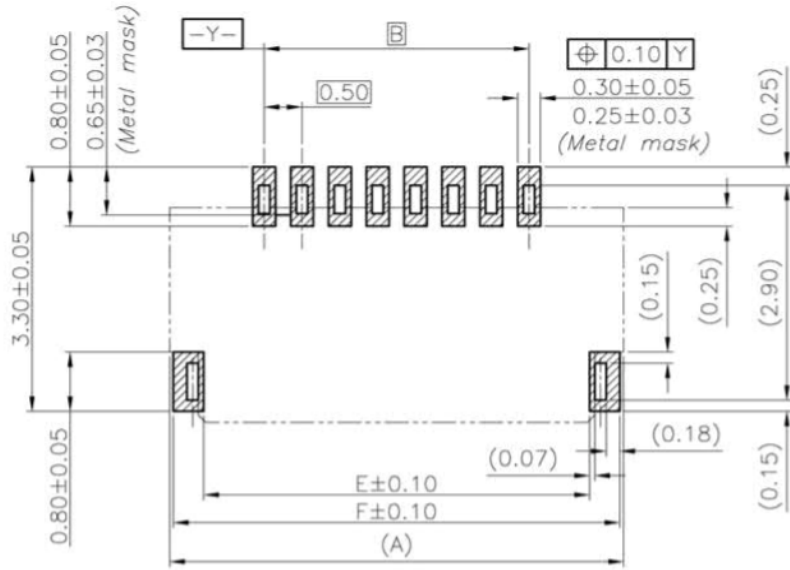
WWW.BDS666.COM

KH-0.5-H3.25-6PIN

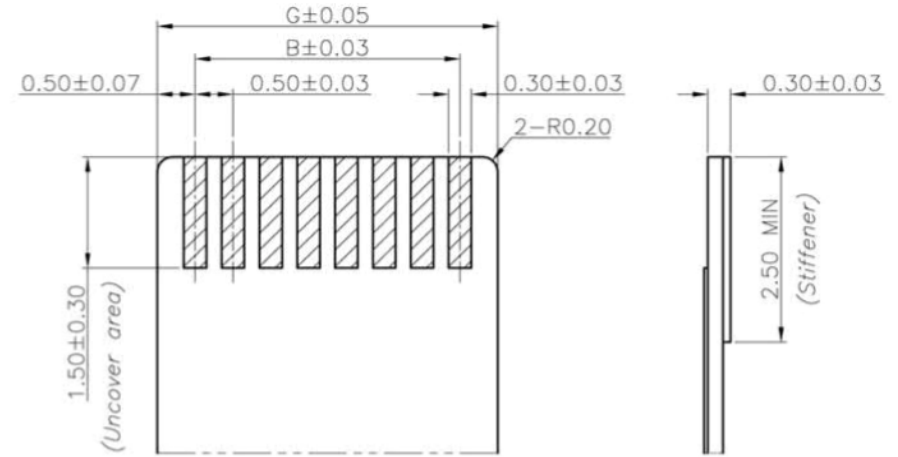
0755-83044319

DIM	TOL	DEC	TOL
X.	±--	X.*	±2*
X.X	±0.20	X.X*	±--
X.XX	±0.15	X.XX*	±--
X.XXX	±--	X.XXX*	±--

DRWN:	PART NO.:				
CHKD:	TITLE:	FP243A-0XXX1XM			
APPD:	DRAWING NO.:	0.5P 1.0H FPC (BACK-FLIP)-CUST			
SHEET:	UNIT	SCALE	SIZE	REV	
1/2	mm	10:1	A4	A0	



*Recommended PCB mounting pattern and metal mask dimensions*  
 Recommended metal mask thickness:  $t=0.1$



*Recommended FPC/FFC Dimensions*

50	27.00	24.50	25.57	26.39	26.10	26.90	25.50
45	24.50	22.00	23.07	23.89	23.60	24.40	23.00
40	22.00	19.50	20.57	21.39	21.10	21.90	20.50
34	19.00	16.50	17.57	18.39	18.10	18.90	17.50
32	18.00	15.50	16.57	17.39	17.10	17.90	16.50
30	17.00	14.50	15.57	16.39	16.10	16.90	15.50
26	15.00	12.50	13.57	14.39	14.10	14.90	13.50
24	14.00	11.50	12.57	13.39	13.10	13.90	12.50
23	13.50	11.00	12.07	12.89	12.60	13.40	12.00
22	13.00	10.50	11.57	12.39	12.10	12.90	11.50
20	12.00	9.50	10.57	11.39	11.10	11.90	10.50
16	10.00	7.50	8.57	9.39	9.10	9.90	8.50
14	9.00	6.50	7.57	8.39	8.10	8.90	7.50
12	8.00	5.50	6.57	7.39	7.10	7.90	6.50
11	7.50	5.00	6.07	6.89	6.60	7.40	6.00
10	7.00	4.50	5.57	6.39	6.10	6.90	5.50
8	6.00	3.50	4.57	5.39	5.10	5.90	4.50
7	5.50	3.00	4.07	4.89	4.60	5.40	4.00
6	5.00	2.50	3.57	4.39	4.10	4.90	3.50
4	4.00	1.50	2.57	3.39	3.10	3.90	2.50
Number of Contacts	DIM A	DIM B	DIM C	DIM D	DIM E	DIM F	DIM G

SHENZHEN KINGHELM  
 ELECTRONIC CO., LTD. [WWW.BDS666.COM](http://WWW.BDS666.COM)  
 KH-0.5-H3.25-6PIN 0755-83044319

DIM	TOL	DEC	TOL	DRWN:	PART NO.:
X.	±--	X.*	±2'	CHKD:	FP243A-OXXX1XM
X.X	±0.20	X.X*	±--	APPD:	TITLE: 0.5P 1.0H FPC (BACK-FLIP)-CUST
X.XX	±0.15	X.XX*	±--	SHEET:	DRAWING NO.:
X.XXX	±--	X.XXX*	±--	2/2	UNIT: mm
					SCALE: 10:1
					SIZE: A4
					REV: A0