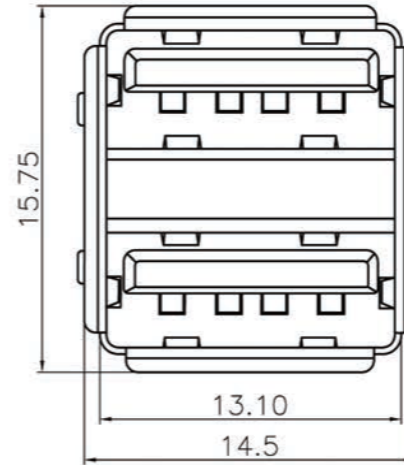
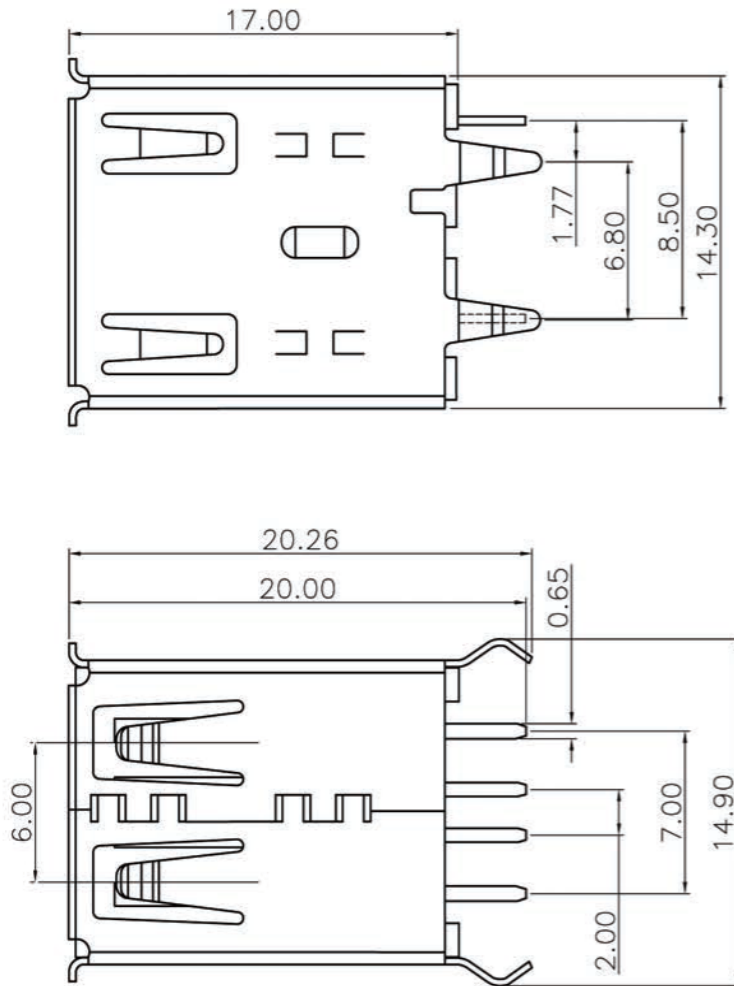


Kinghelm®



Remark

Electrical Specifications:

Contact Resistance:

30 mΩ (Max))

Insulation Impedance:

1000 MΩ (Min)

Withstanding Voltage:

500V AC 1minute

Materials:

Rubber Core:

PBT

Terminal:

Brass C2680

Housing:

Brass C2680/SPCC

Electroplating:

Terminal:

Contact area gold-plating 1 μ",

Tin flash in Soldering area 100-200μ"

Housing:

Whole-area nickel plating 50-80 μ "

- 91-US01-XXX
- 231: PBT Black, Iron housing, Semi-gold-plated Terminal
 - 232: PBT Black, Copper housing, Semi-gold-plated Terminal
 - 233: PBT White, Iron housing, Semi-gold-plated Terminal
 - 234: PBT White, Copper housing, Semi-gold-plated Terminal

TOLERANCE UNLESS OTHERWISE SPECIFIED
.XXX ±0.10
.XX ±0.20
.X ±0.30
.X' ±3'

Part name	AF Bilayer 180-degree Dip (Long)
-----------	---------------------------------------

Part No.	See Table	C
----------	-----------	---

REV:	DESCRIPTION	REV BY	APPROVED	DATE	MATL:	SEE SPECIFICATION	APPROVED
B	update part No.	ZouJianhui		2011. 05. 28	PROJECTION:	THIRD ANGLE PROJECTION	CHECKED
					UNIT: mm	SCALE: 1:1	REV(NO): B
						SHEET: 1 OF 1	DRAWN: ZouJianhui
							DATE: 2011. 05. 28

SHENZHEN KINGHELM ELECTRONIC CO., LTD.	WWW.BDS666.COM
KH-2AF180DIP-1715	0755-83044319