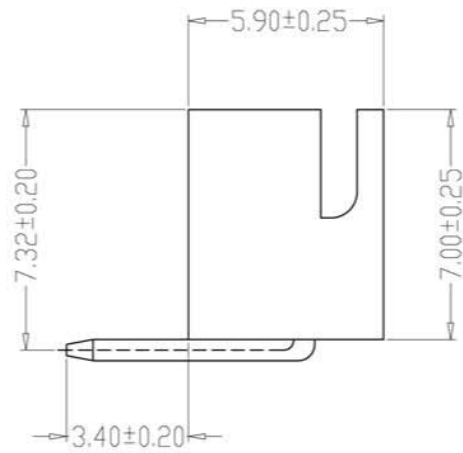
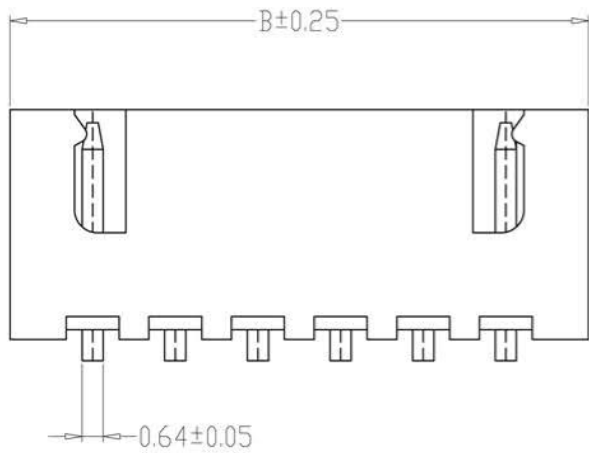
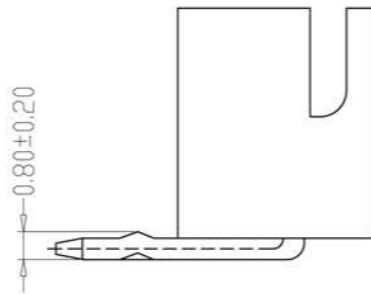
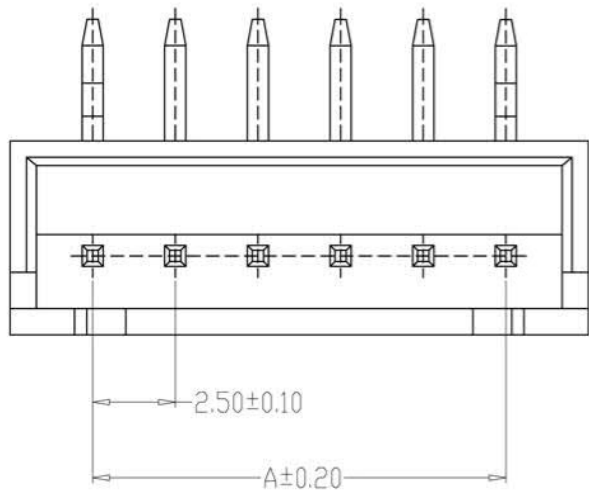


# Kinghelm®

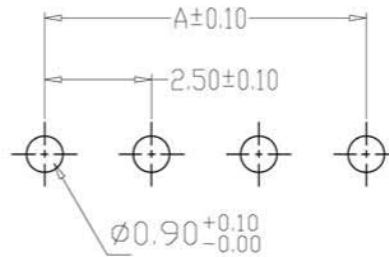
Model: KH-XH- (2-10) A-W



TYPE 1



TYPE 2



PCB LAYOUT

### SPECIFICATIONS

1. Current Rating: 3A AC, DC
2. Voltage Rating: 250V AC, DC
3. Temperature Range: -25°C ~ +85°C
4. Contact Resistance: 20mΩ Max
5. Insulation Resistance: 1000MΩ Min
6. Withstanding Voltage: 1000V AC/minute
7. Material: Wafer Nylon66, UL94V-0  
PIN Brass Tin-plated

| No.        | Unit: (mm) |       |
|------------|------------|-------|
|            | A          | B     |
| A2501-02AW | 2.50       | 7.50  |
| A2501-03AW | 5.00       | 10.00 |
| A2501-04AW | 7.50       | 12.50 |
| A2501-05AW | 10.00      | 15.00 |
| A2501-06AW | 12.50      | 17.50 |
| A2501-07AW | 15.00      | 20.00 |
| A2501-08AW | 17.50      | 22.50 |
| A2501-09AW | 20.00      | 25.00 |
| A2501-10AW | 22.50      | 27.50 |
| A2501-11AW | 25.00      | 30.00 |
| A2501-12AW | 27.50      | 32.50 |
| A2501-20AW | 47.50      | 52.50 |

| DRAWN | DESCRIPTION | DATE | GENERAL TOLERANCE |            | DRAWN     | Qian Yuesheng<br>2013. 07. 01 | PART NO.                               | A2501-NAW        |                | REV.          | A   |
|-------|-------------|------|-------------------|------------|-----------|-------------------------------|--|------------------|----------------|---------------|-----|
|       |             |      | X.±0.25           | X.*±2'     |           |                               |  | TITLE            | WAFER DIP TYPE |               |     |
|       |             |      | .X±0.20           | .X*±1'     | CHECK ED  | Zhang ming<br>2013. 07. 03    | CUTM. NO.                              | Model:KH-XH-9A-W |                | SHEET         | 1/1 |
|       |             |      | .XX±0.15          | .XX*±0.5'  | APPROV ED | Zhang ming<br>2013. 07. 05    | SHENZHEN KINGHELM ELECTRONIC CO., LTD. |                  |                |               |     |
|       |             |      | .XXX±0.10         | .XXX*±0.5' | UNITS     | MM                            | SCALE                                  | 1:1              | WWW.BDS666.COM | 0755-83044319 |     |