

## Datasheet

Model: **KH-XH-PT.TJC3**

### SPECIFICATION

Poles: 2~20

Applicable wires:AWG28 # ~22#

Applicable PC board thickness: 1.6mm

Temperature range: -25°C~85°C

Voltage rating: 250V.AC/DC

Current rating: 3A

Contact resistance:  $\leq 0.02\Omega$

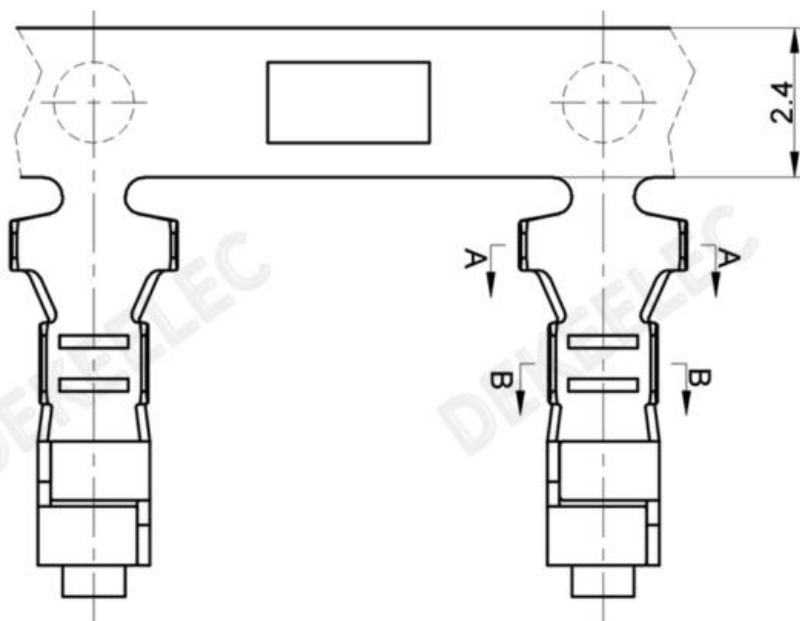
Insulation resistance:  $\geq 1000\Omega$

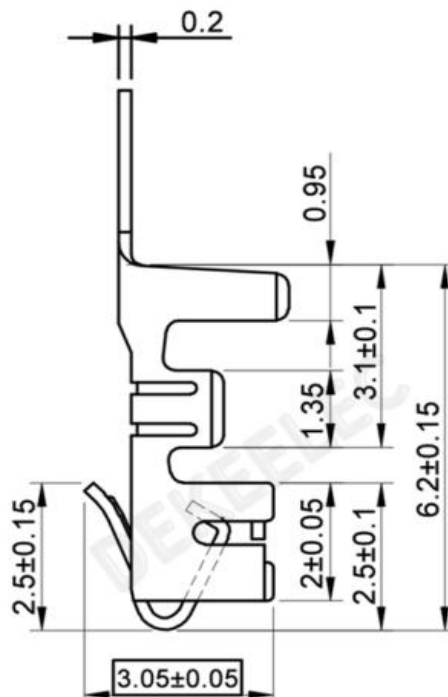
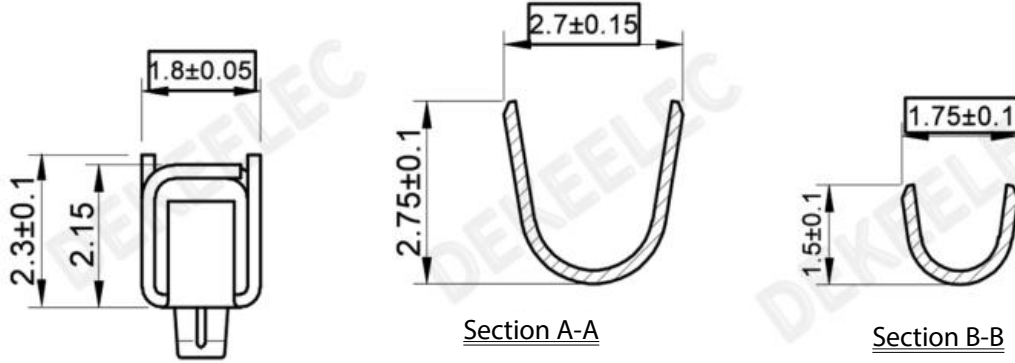
Withstand voltage: 1000V.AC/1min

### MATERIAL

Terminal: Phos.bronze Tin/plated

XH/TJC3-PT





## Terminal(XH/TJC3)

Type	Applicable wires		O.D of wire ins
	mm <sup>2</sup>	AWG#	mm
XH-PT	0.08~0.33	28~22	1.0~1.8