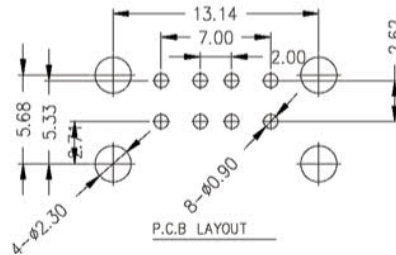
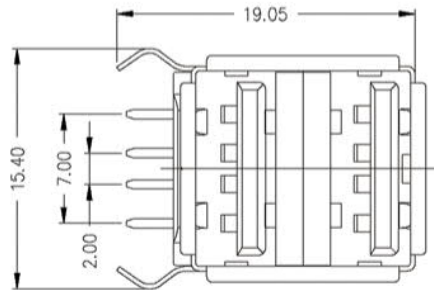
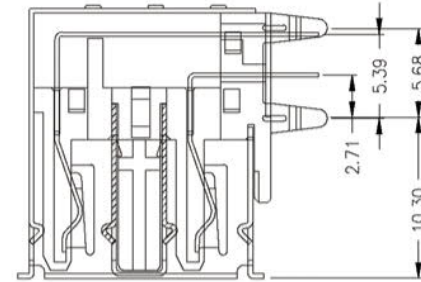
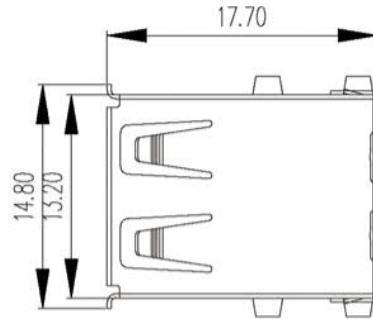
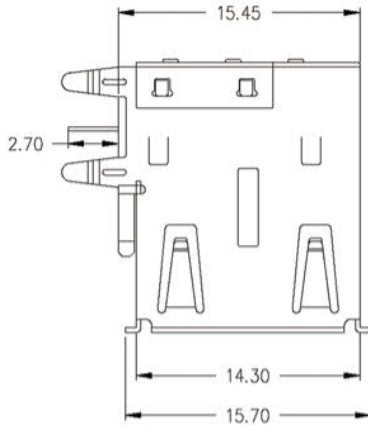


# Kinghelm®

Model : KH-2AF90DIP-1715

REV.	DESCRIPTION	DATE
A	RELEASE	2013.8.15



**Specifications:**

**Electrical:**

Contact Resistance

30 milliohms MAX

Dielectric Withstanding Voltage:

500 V AC AT Sea Level

Insulation Resistance:

1000MEGA ohms MIN

**Material:**

1.Housing:PBT UL 94V-0 Black

2.Contact: Copper Alloy C2660H

3.Shell: Copper Alloy

**Finish:**

1.Contact: Plated Gold in Mating(1U) Area;

Tin On Solder Talls

2.Shell:

Nickel Plating

SHENZHEN KINGHELM ELECTRONIC CO., LTD.

WWW. BDS666. COM

KH-2AF90DIP-1715

0755-83044319

ITEM :

USB AF Bilayer Edged Terminal

Bending With Rear Cover

UNLESS TOLERANCE		DRAW BY	
GENERAL	ANGLE	DESIGN BY	
x. ± 0.38	x.° ± 3.0°	CHECK BY	
.X ± 0.30	.X° ± 2.0°	APPROVE BY	
.XX ± 0.25	.XX° ± 1.0°	SCALE	SHEET
.XXX ± 0.10	.XXX° ± 0.5°	1: 1	1/1
		UNIT	MM

DRW NO: 1120-204019

REV: A0