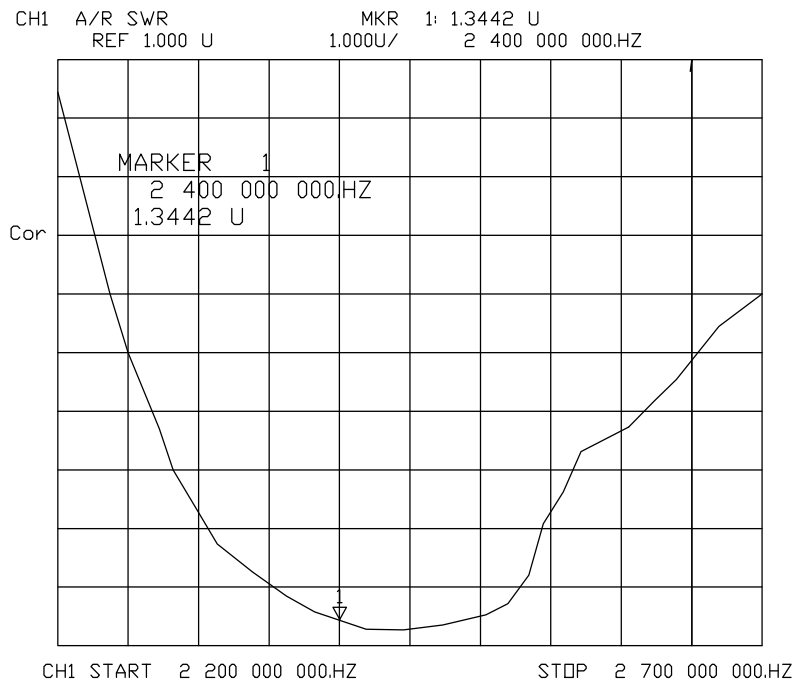
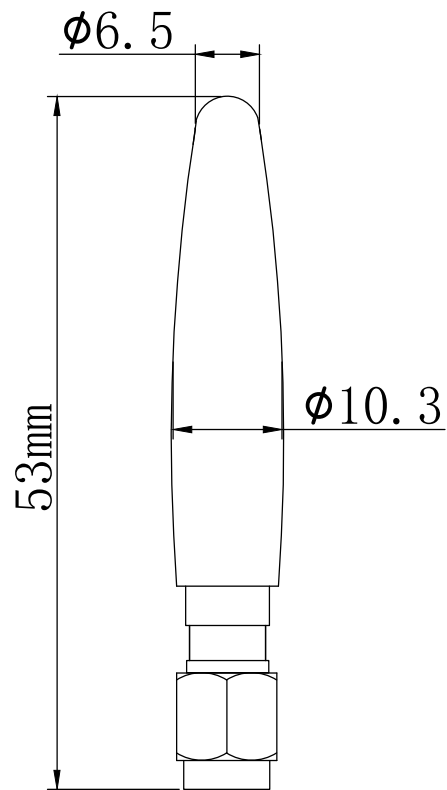


The inspection shall lay emphasis on the dimensions marked with "\*"

All graphic products comply with ROHS standards

# Kinghelm®



### Performance parameters

Product name	2.4G WIFI antenna
Model Type	KH-2400XLJ-SMA-Z
Frequency Range	2400-2500 MHz
Band Width	100MHz
Vswr	≤2.0
Gain	2.15DBi
Impedance	50 OHM
Polarization	Vertical
Radiation	OMNIDIRECTIONAL
Max power	10 W
Connector	SMA-J
Dimensions	53mm *10.3mm
Shell material	TPE
Temperature	-35° -- 75°
Lighting protection	DC grounding
Weight	

SHENZHEN KINGHELM ELECTRONIC CO., LTD.

WWW.BDS666.COM

0755-83044319

Tolerance	.x	±0.30	History of Changes	Date	Changed by	Code	Part Number				
	x.x	±0.20				Designation	2.4G WIFI antenna				
Graphic Method	x.xx	±0.10	Scale	Paper	A4	Model	KH-2400XLJ-SMA-Z				
	ANGULAR @5~					Unit	MM	Version	A	Date	2019.01.07
						Review		Page	1/1		