

SHENZHEN KINGHELM ELECTRONIC CO., LTD.

## KH-MCX-K507-Z High frequency Joint Specification

Product Code :XK2013 mcx-jw-1.5

Product Name :High frequency socket

Part Number: KH-MCX-K506-Z

Environment protect information:Meet RoHS requirements

Safety information: None

Interface standard: Next page

Technical parameter

### Electrical performance

Characteristic impedance: 50Ω

Rated current:0~18GHz

Contact resistance:Inner Conductor≤3mΩ    Outer Conductor≤2mΩ

Dielectrically withstanding voltage: 1000VRMS

Voltage rating: 335 VRMS

Insulation Resistance:≥5000MΩ

### Mechanical performance

Inner conductor separating force: ≥0.28N

Durability: 500 times

### Material and surface treatment.

Metal material, workmanship and surface treatment

Contact

Material of male:Copper alloy

Surface treatment:Gold-plating

Workmanship: Machining

Shell

Material:Copper alloy

Surface Treatment:Gold plating on nickel

Workmanship: Machining

Plastic, Workmanship And Forming

Insulator

Material:Polytetrafluoroethene

Workmanship: Machining

### Operation environment

Temperature Range: -55°C~+155°C

Shock :500 m/s'

Vibration : 10~2000Hz , 10m/s<sup>2</sup>

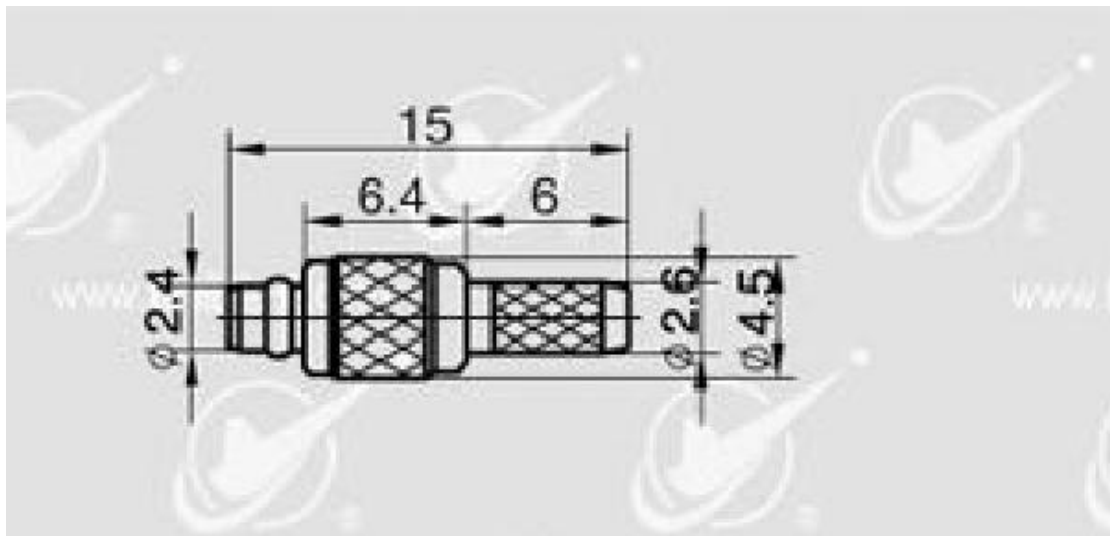
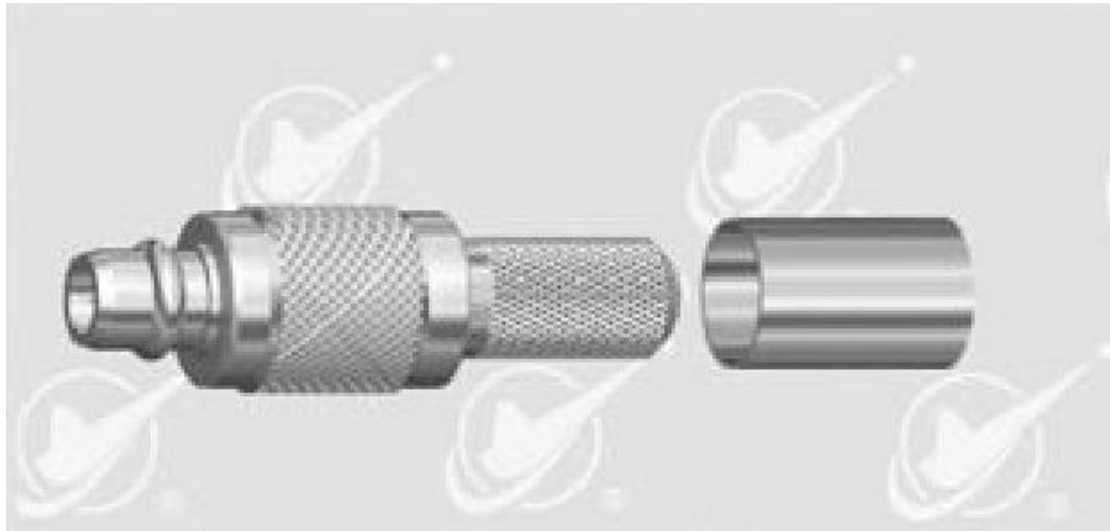
Structure And Dimension

Maximum dimension of plug:

Brief Introduction:

Package and Store)100PCE/ pag

**Kinghelm®**



WWW.BDS666.COM 0755-83044319