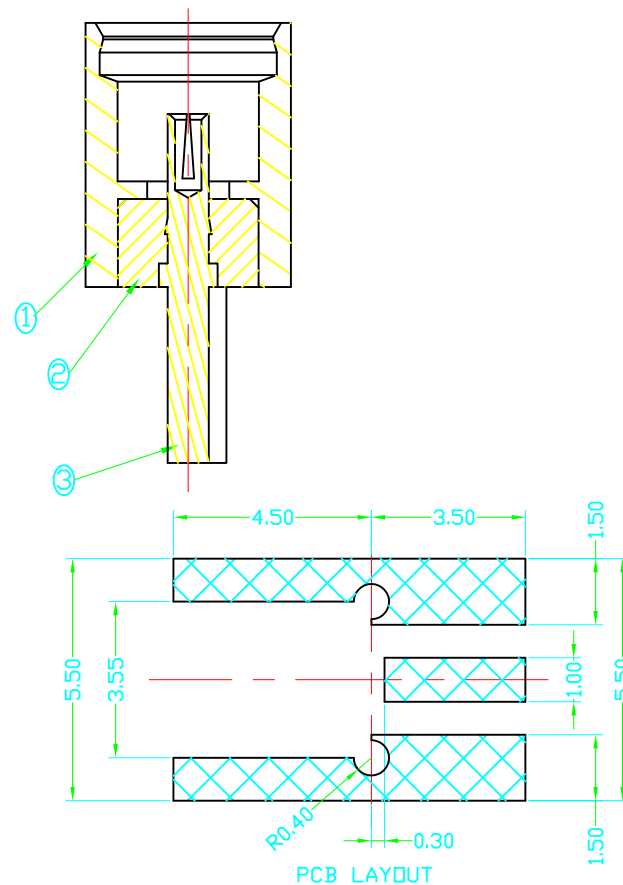
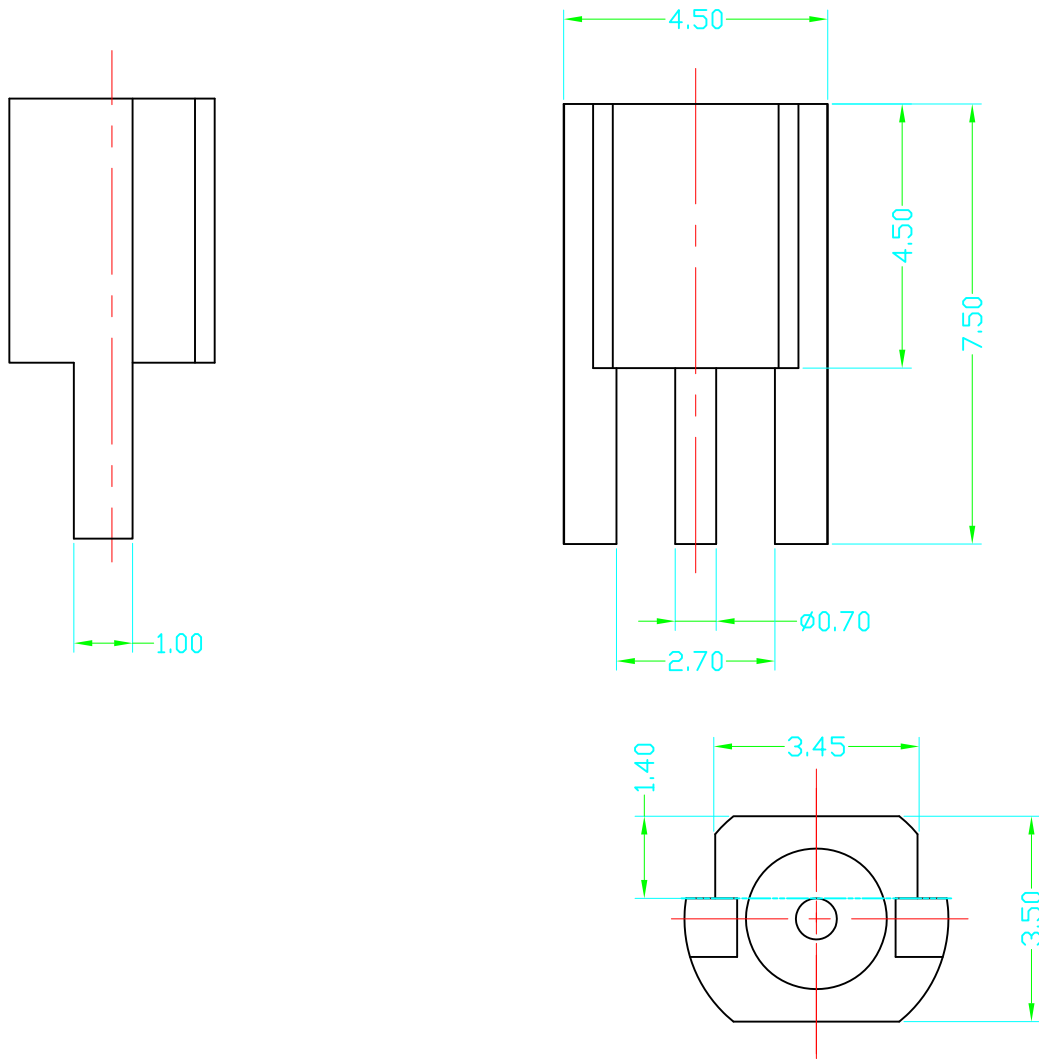


Kinghelm®

SIGN	DATE	DESCRIPTION	APPROVER
△			
△			
△			



SHENZHEN KINGHELM ELECTRONIC CO., LTD. WWW.BDS666.COM

Model: **KH-MMCX-PBS** 0755-83044319

TITLE: SMA-K Broken plate

PART NO.: **MMX005-ZG8JNPCB** DWG NAME: **MMX005-ZG8JNPCB**

APPROVED BY	CHECKED BY	DESIGNED BY	 UNITS: mm SCALE: 1/1 REVISION: A	Tolerance
		Tom Liu 2020.08.24		X.X ±0.1 X.XX ±0.05 X° ±1°