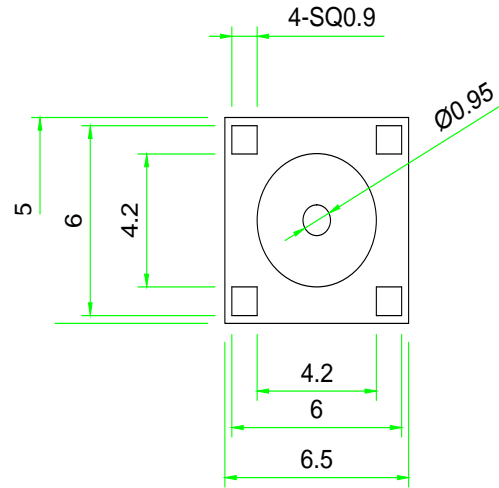
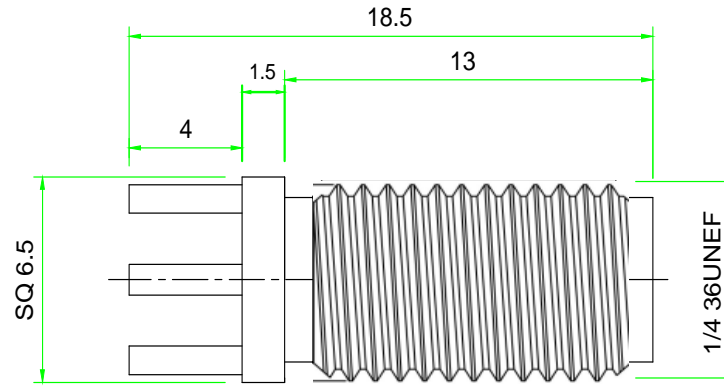


# Kinghelm®

Version	Modified content	Modifier	Date



**Material requirements :**

- 1: Housing: Brass Gold-plating
- 2: Insulator :PTFE
- 3.Jack : (HPb59-1)Gold-plating

**Technical Specification:**

- 1. Unspecified tolerance  $\pm 0.2$
- 2.The coating is uniform, smooth and free of stains and scratches.
- 3.Materials shall be ROHS-comliant

Part Name/ Specification	SMAKE-13	SHENZHEN KINGHELM ELECTRONIC CO., LTD.		
		WWW.BDS666.COM		
Customer P/N		KH-SMA-K513-13G		
		0755-83044319		
Date	: 2019. 10. 22	Drawn		
Drawing Number	:	Checked		