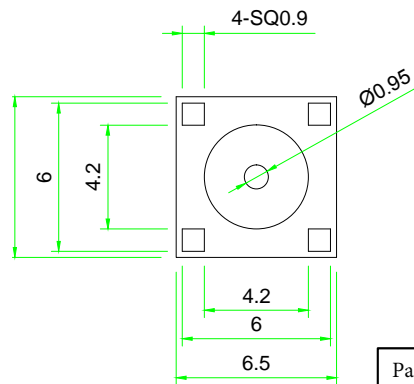
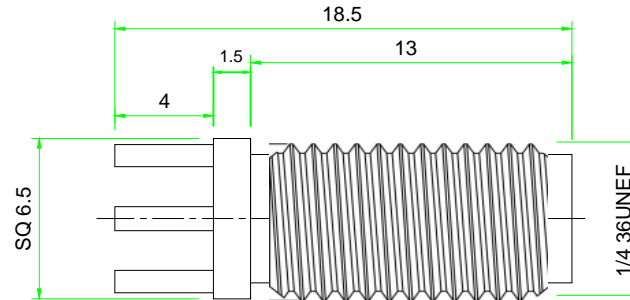


Kinghelm®

Version	Modified content	Modifier	Date



Material requirements :

- 1: Housing: Brass Gold-plating
- 2: Insulator :PTFE
- 3.Jack : (HPb59-1)Gold-plating

Technical Specification:

- 1. Unspecified tolerance ± 0.2
- 2.The coating is uniform, smooth and free of stains and scratches.
- 3.Materials shall be ROHS-compliant

Part Name/ Specification	SMAKE-13	SHENZHEN KINGHELM ELECTRONIC CO., LTD.	WWW.BDS666.COM	
Customer P/N		KH-SMA-K514-18N	0755-83044319	
Date	2019. 10. 22	Drawn		
Drawing Number		Checked		