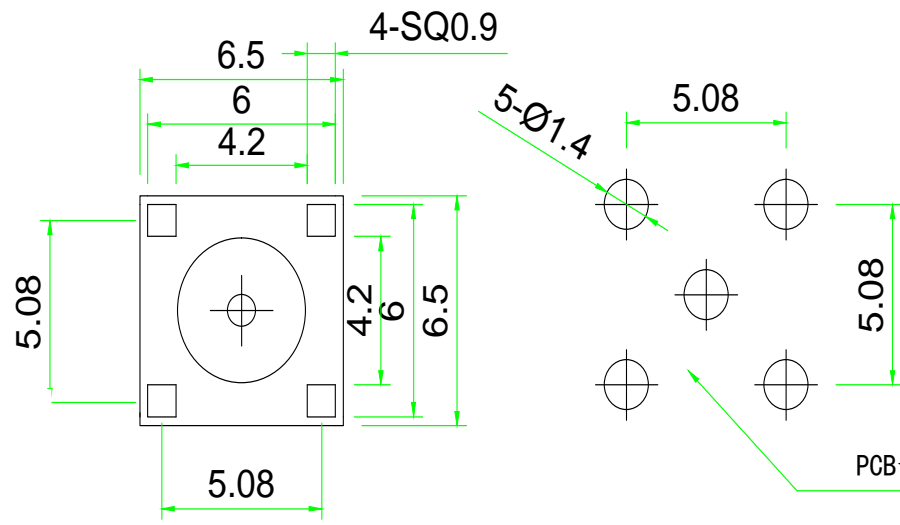
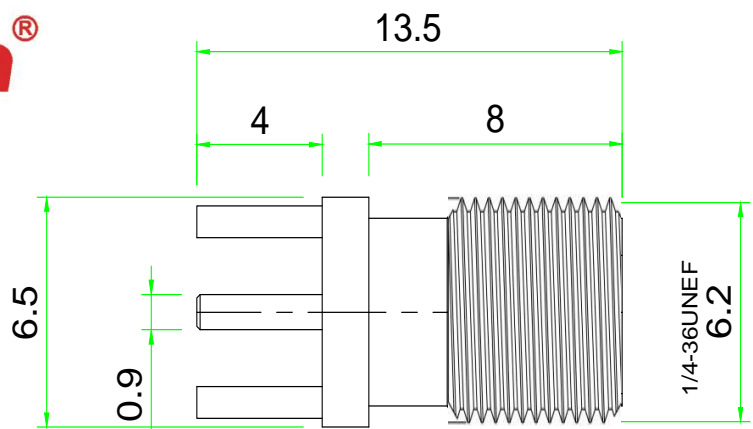


# Kinghelm®



**Material requirements:**

- 1: Housing: Brass Gold-plating
- 2: Insulator :PTFE
- 3: Jack : (HPb59-1)Gold-plating

**Technical Specification:**

- 1. Unspecified tolerance  $\pm 0.2$
- 2. The coating is uniform, smooth and free of stains and scratches.
- 3. Materials shall be ROHS-compliant

PCB: Schematic diagram

Model:	<b>KH-SMA-KE-Z</b>	SHENZHEN KINGHELM ELECTRONIC CO., LTD.		
Customer P/N		WWW.BDS666.COM		
Date:	2019. 6. 6	Drawn:		
Drawn No.		Checked :		

技术详询

C

D

E