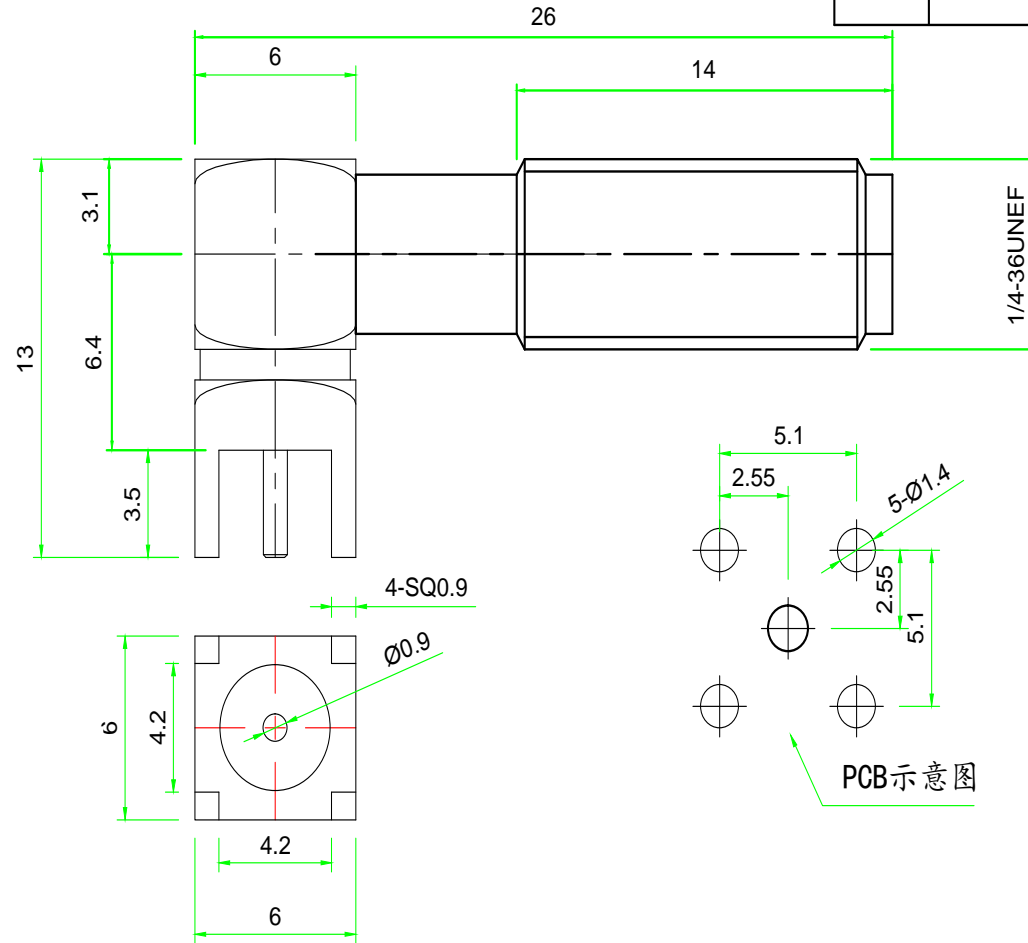


# Kinghelm®

Version	Modified content	Modifier	Date

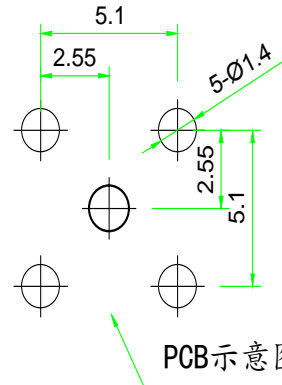


**Material requirements :**

- 1: Housing: Brass Gold-plating
- 2: Insulator :PTFE
- 3.Jack : (HPb59-1)Gold-plating

**Technical Specification:**

- 1. Unspecified tolerance  $\pm 0.2$
- 2.The coating is uniform, smooth and free of stains and scratches.
- 3.Materials shall be ROHS-compliant



SHENZHEN KINGHELM ELECTRONIC CO., LTD.		WWW.BDS666.COM	
KH-SMA-KWE13X26		0755-83044319	
Date:	2021. 5. 25	Drawn	
Drawn Number:		Checked	