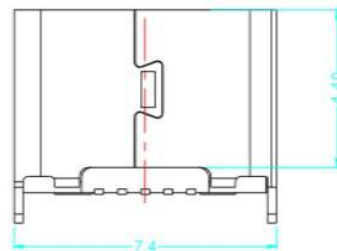
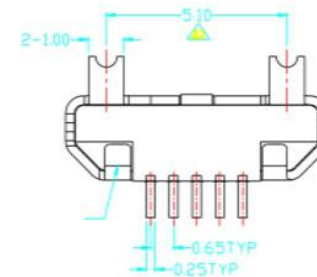
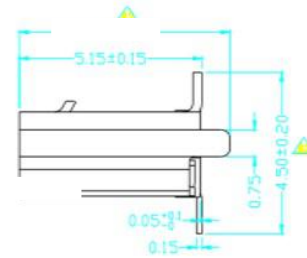
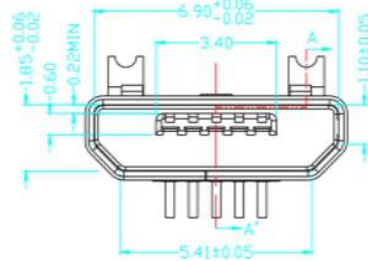
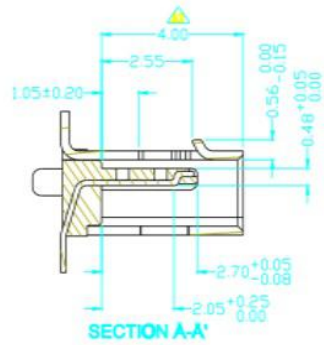
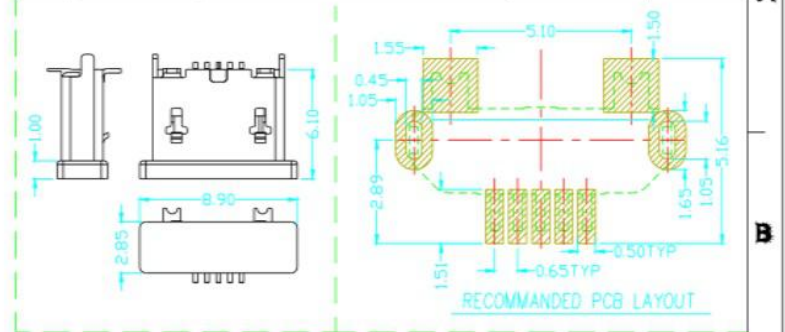
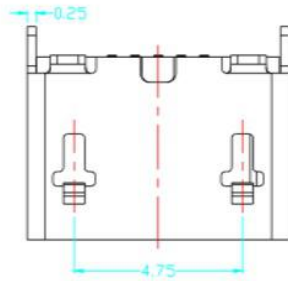


Kinghelm®

Model: KH-MICRO-SMT.LF-5P

REV	Change details	Change date	Change by
A	New drawing design	2014/11/18	PSJ



SHENZHEN KINGHELM ELECTRONIC CO., LTD. WWW.BDS666.COM

Model: KH-MICRO-SMT.LF-5P **0755-83044319**

Unspecified Tolerance: .00=±0.15, .000=±0.05, Angle: ±1°

specification: MICRO USB 5PIN Sticking plate type B Receptacle

Part No.	Sacle			Unit	mm	Paper	A4	Rev	A
Page	1/1								
Approval	Checked		Drawn						