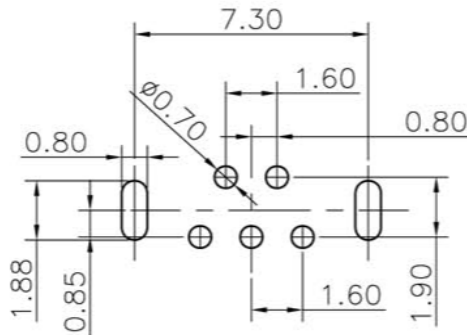
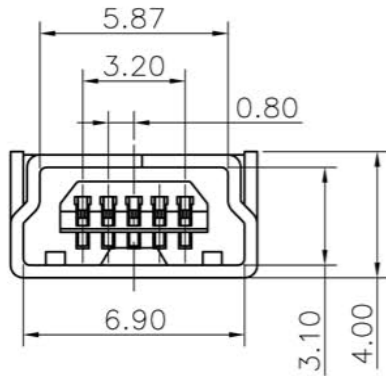
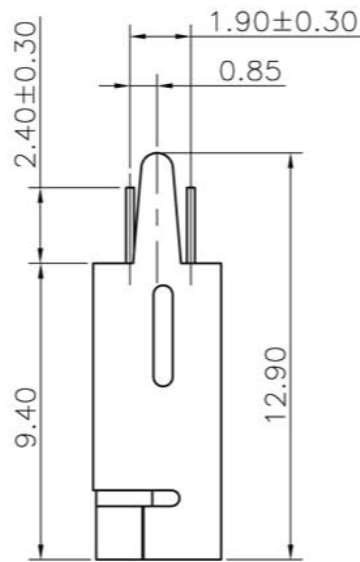
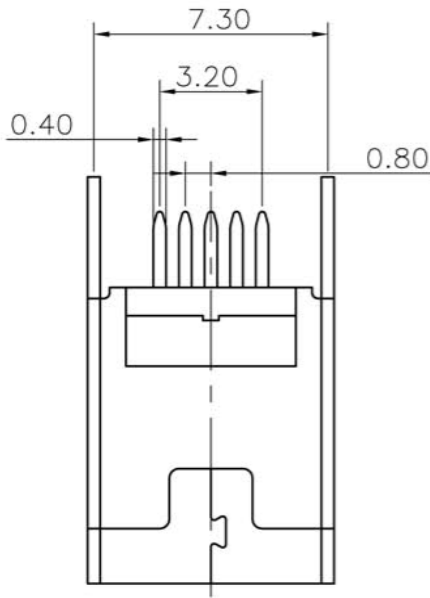


Kinghelm®

REV.	ECN.NO.	APPD.
A	/	LXQ



RECOMMENDED PCB LAYOUT

Remake:

Electrical Specifications:

Contact Resistance 500m (Max)

Insulation Impedance:

100megohm(Mix)

Withstanding Voltage: 100AC/min

Materials:

Rubber Core: LCP

Terminal: Phosphor Bronze C5191

Housing: C2680/SPCC

Electroplating:

Materials:

Contact area Full Gold-plating

Bright tin plating on welding area

Housing:

Fully Nickel-Plating 40u"min

TOLERANCE UNLESS OTHERWISE SPECIFIED		SHENZHEN KINGHELM ELECTRONIC CO., LTD.		WWW.BDS666.COM		
.XXX ±0.10	.XX ±0.20	.X ±0.30	.X' ±3'	KH-MINI-DIP180-5P-Cu		0755-83044319
.XX ±0.20	.X ±0.30	.X' ±2'	PART NAME: MINI 5P/F 180-degree dip			
CHECKED		PART No:		C		
DRAWN	leixianqiang	PROJECTION:	UNIT:	SCALE:	SHEET:	REV.:
DATE	2014.08.11		mm	1:1	10F1	A