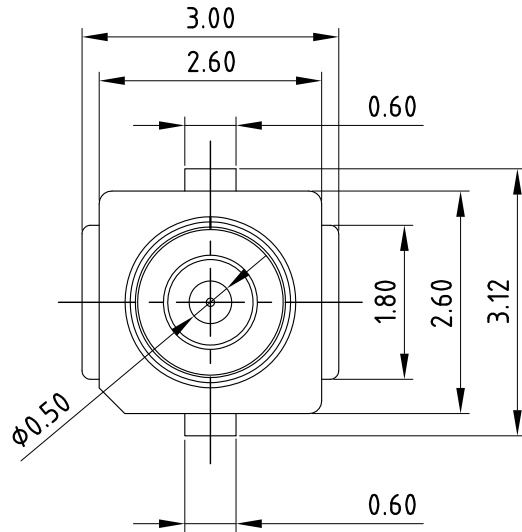


Kinghelm®

AN B 0 200 1 - 1 2 5

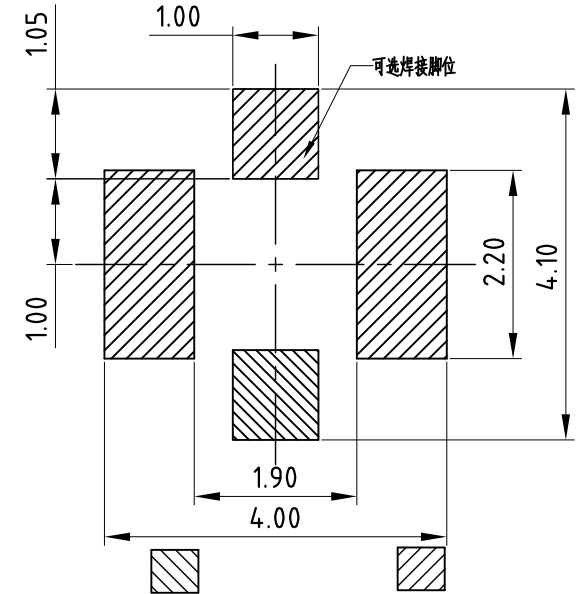
AN=ANTENNA
 B=BOARD END
 0=STANDARD HEIGHT
 200=OUTER DIAMETER
 GROUND CONTACT PLATING
 1=Au 1u" Min.

WITH CHAMFER
 (5000PCS/R)
 2=STREAM CODE
 1=1st GENERATION



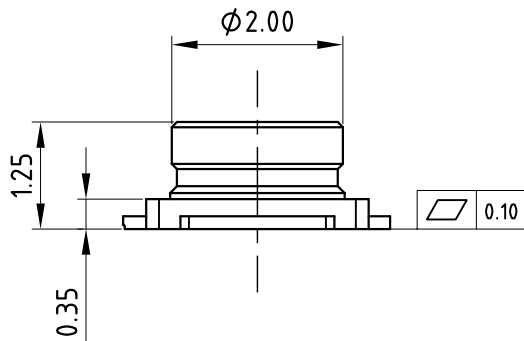
NOTES:

- FREQUENCY RANGE:
DC TO 6GHZ (VSWR: 1.3MAX AT 0.1~3GHZ, 1.4MAX AT 3~6GHZ)
- CHARACTERISTIC IMPEDANCE: 50Ω(NOMINAL);
- TEMPERATURE: -40°C TO +90°C;
- RATED VOLTAGE : 60VAC;
- CONTACT RESISTANCE :
20mΩ MAX.(SIGNAL CONTACT)
20mΩ MAX.(GROUND CONTACT)
- WITHSTAND VOLTAGE : 200VAC FOR 1 MINUTE MIN;
- INSULATION RESISTANCE : 500MΩ MIN. AT 100VDC;
- THIS COMPONENT IS HALOGEN FREE.

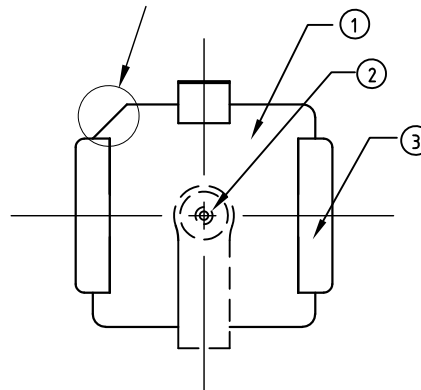


SIGNAL CONTACT GROUND CONTACT

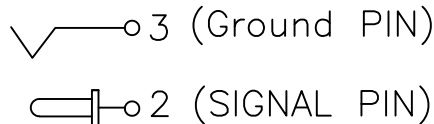
P.C.B DIMENSION (TOP VIEW)
(TOLLERRANCE ±0.05)



WITH CHAMFER



SCHEMATIC



| ITEM | NAME | Q'TY | MATERIAL | FINISH |
|------|----------------|------|---------------|------------------------------------|
| 3 | GROUND CONTACT | 1 | COPPER ALLOY | GOLD FLASH OVER Ni PLATED OVERALL. |
| 2 | CONTACT | 1 | COPPER ALLOY | GOLD FLASH OVER Ni PLATED OVERALL. |
| 1 | HOUSING | 1 | THERMOPLASTIC | UL94V-0 |

TOLERANCES UNLESS OTHERWISE SPECIFIED

| | | | |
|-----|-------|------|-------|
| X. | ±0.25 | X.° | ±2° |
| .X | ±0.20 | .X° | ±1° |
| .XX | ±0.15 | .XX° | ±0.5° |

THESE DRAWINGS AND SPECIFICATIONS ARE THE PROPERTY OF KUNSHAN COCENTRA ELECTRONICS CO.,LTD. AND SHALL NOT BE REPRODUCED, COPIED OR USED IN ANY MANNER WITHOUT THE PRIOR WRITTEN CONSENT OF KUN SHAN COCENTRA ELECTRONICS CO.,LTD.

| | | | |
|----------------------------|--|----------------------------------|--|
| 深圳市金航标电子有限公司 | | WWW.BDS666.COM | |
| KH-IPEX-K501-29 | | 0755-83044319 | |
| SERIES: RF 1G BOARD END | | TITLE: RF 1G H TYPE BOARD END | |
| APPD: 王宁 2018/07/09 | | PART No.: ANB02001-125 | |
| CKD: 段国强 2018/07/09 | | DWG No.: 307-0000-0193 | |
| DR: 段国强 2018/07/09 | | | |

| UNITS | MAT'L | FINISH | SCALE | SHEET | REV. |
|-------|-------|--------|-------|-------|------|
| MM | N/A | N/A | 1:1 | 1/1 | A |