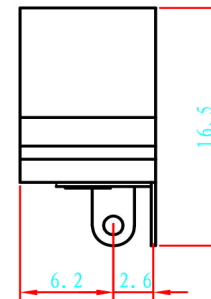
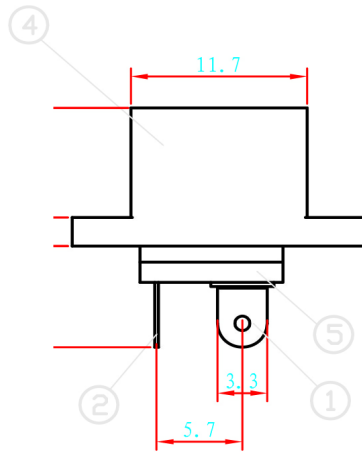
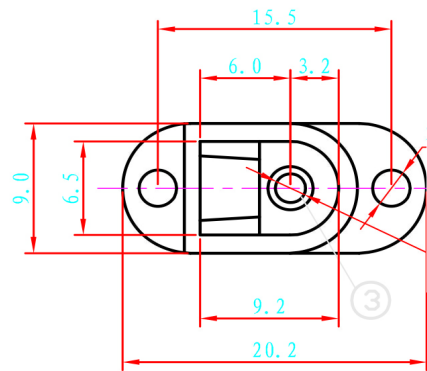
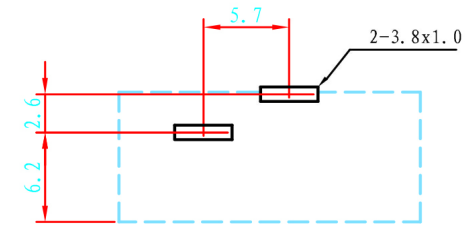


Kinghelm®



Schematic of PCB Installation Dimensions



Technical Specifications

Operation Condition: - 40 ~ 55°C

Rated Load: DC 30V 0 SA

Contact Resistance: ≤0.03

Insulation Resistance: ≥100MΩ DC250V

Withstand Voltage: AC 500V (50H2)/min

Insertion-withdrawal Force: 3~20N

Mechanical Life: 5000 times

		6		COVER	IPCS	PA(Black)		
	Schematic of PCB	5		Dock	IPCS	PA(Black)		
		4		Contact Pin	IPCS	H59-1 Brass Ø=2.0	Environmental-friendly	
		3		Static Wafer	IPCS	H62 Brass t = 0.30	Environmental-friendly	
		2		Movable W	IPCS	Manganese Steel = 3.0	Environmental-friendly	
		1		Pins	IPCS	H62 Brass t = 0.35	Environmental-friendly	
		Serial Number	Number or C	Designation	Quantity	Materials	Remarks	
						SHEN ZHEN KINGHELM ELECTRONIC CO., LTD.		
						WWW.BDS666.COM		
						0755-83044319		
Mark	Number of Revised	Revised Order Number	Signature	Date	KH-DC-016-2.5			
	Drawn				DC-016	Drawing Mark	Weight	Scale
	Designed					A B		1:1
	Checked					1 Page in Total Page 1		
	Craft				Electrical Socket			
	Standardized							
	Approved							

TOLERANCE: UNLESS OTHERWISE SPECIFIED		
UNOER 1.5 ± 0.05	1.5 ~ 10 ± 0.1	OVER 10 ± 0.2