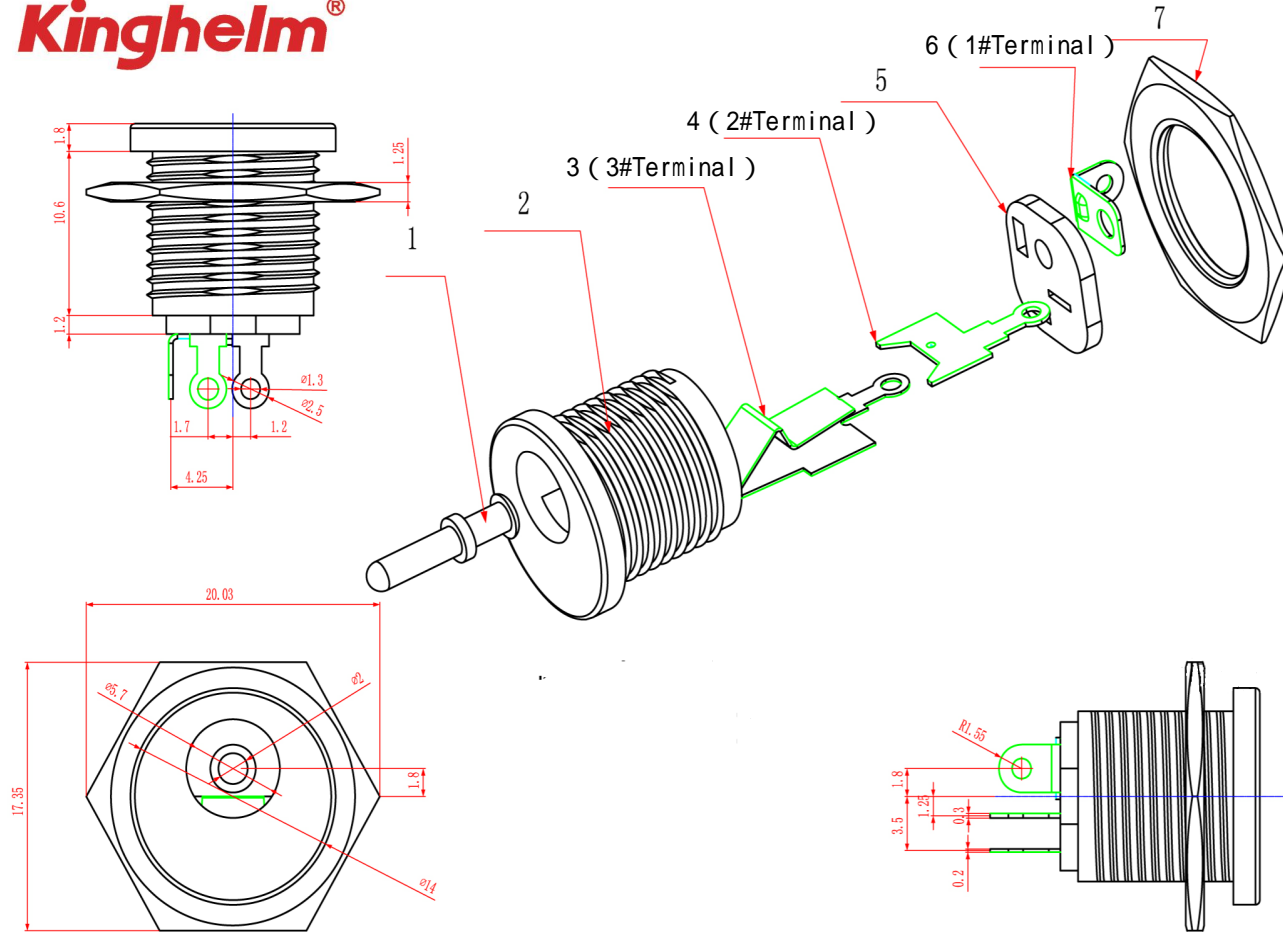
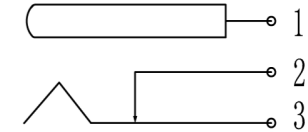


Kinghelm®

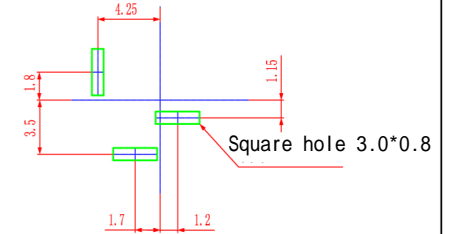
TOLERANCE INLES OMERNISE SPEC	
BASIC DIMENSIONS	±0.3
UP TO 10	±0.2
ABOVE 10 TO 100	±0.2
ABOVE 100	±0.2
ANGULAR DIMENSIONS	±3°



SCHEMATIC



PCB LAYOUT



Technical Specifications

1. Rated Electrical Load : DC30V 0.5A
2. Contact Resistance: less than 30 milliohm
3. Insulation Resistance: greater than or equal to 100 megohm
4. Withstand Voltage: AC500V (50HZ) /min
5. Insertion-withdrawal Force: 3~20N

7	Hexagon Thin Nut	Customer's Selection	Cu-electroplated Tin	
6	1#Terminal	Iron Sheet	Cu-electroplated Tin	Q266 5-0.1 Tin Bronze Strip L=0.30mm GB2066-89
5	Rear Panel	PCB	Yellow	
4	2#Terminal	Iron Sheet	Cu-electroplated Tin	Q266 5-0.1 Tin Bronze Strip L=0.30mm GB2066-89
3	3#Terminal	Manganese Steel	Cu-electroplated Tin	Q266 5-0.1 Tin Bronze Strip L=0.30mm GB2066-89
2	Base	PA66	Black	
1	Contact Pin	Round Bar	Cu-electroplated Tin	
	DESCRIPTION	MATERIAL	COLOR	REMARK

CUSTOMER COPY	TITLE:	Electrical Socket		
		SHENZHEN KINGHELM ELECTRONIC CO., LTD.		WWW.BDS666.COM
		KH-DC-022-2.0		0755-83044319
	DRAWING NO.	A		
		Status Code		
ECN(DCN) NO.	REV	DATE	CHANGE	APPRO.
				GENERAL TOLERANCE UNLESS OTHERWISE NOTED
				APPRO.
			SCALE	5:1
			UNIT	mm
			A4	