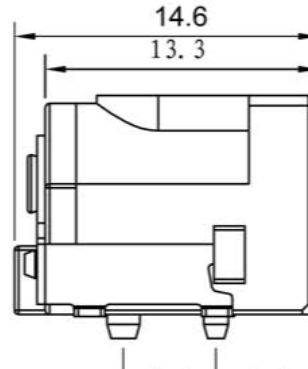
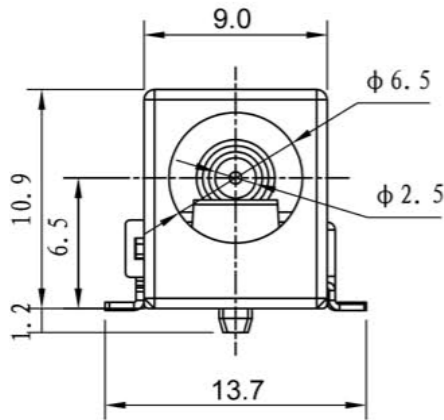
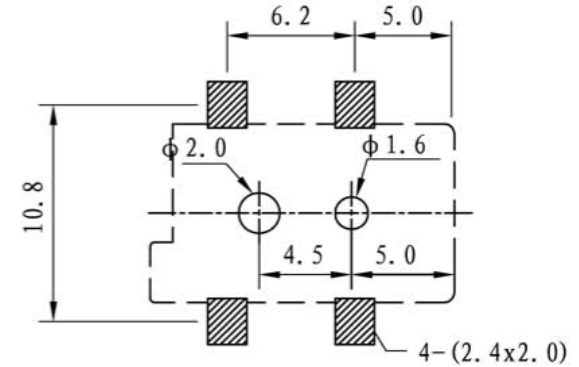
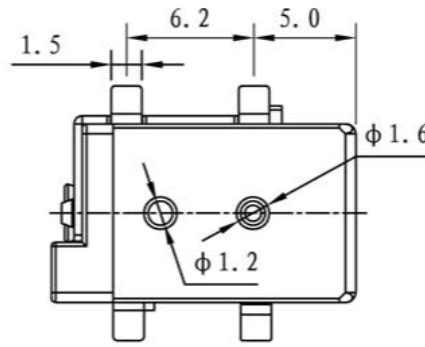
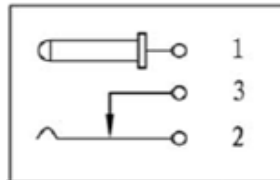


# Kinghelm®



Schematic of PCB



5	XL7.810.001	Base	IPCS		
4	XL7.746.001	Contact Pin	IPCS	H59-1 Brass φ-1.6	Electroplating: Tin
3	XL7.732.001	Static Wafers	IPCS	H62 Brass t=0.40	Electroplating: Tin
2	XL7.730.001	Reed	IPCS	Stainless steel t=0.25	Electroplating: Cu-Sn
1	XL7.740.001	Pins	IPCS	H62 Brass t=0.40	Electroplating: Tin
Serial Number	Part Number or Code	Designation	Quantity	Materials	Rema

						<b>DC-050</b>		<b>DC Power Jack</b>		
Mark	Numer of Revised	if	Revised Order Number	if it	Signature	Date	SHENZHEN KINGHELM ELECTRONIC CO., LTD.			
Drawn							<a href="http://WWW.BDS666.COM">WWW.BDS666.COM</a>	Drawing Mark	Weight	Scale
Designed								A	B	1:1
Checked							1 Page in Total	Page 1		
Craft							<b>KH-DC-050-2.0STM</b>			
Standardized							<b>0755-83044319</b>			
Approved										

TOLERANCE: UNLESS OTHERWISE SPECIFIED		
UNOER 1.5 ± 0.05	1.5 ~ 10 ± 0.1	OVER 10 ± 0.2