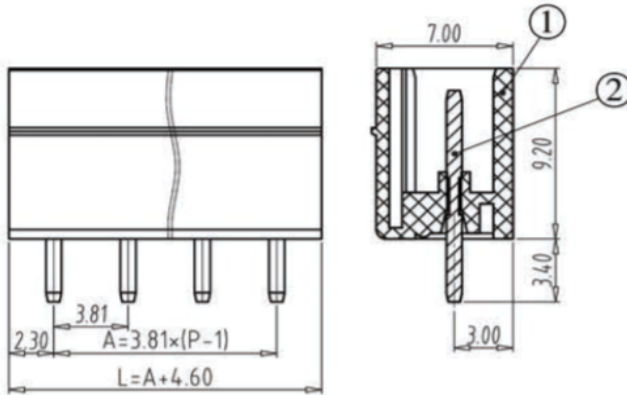


specification

- 1.Rated voltage and current: 300V 8A(CE)
- 2.Insulation Strength: AC1500V/MIN
- 3.Insulation Resistance: 500MΩ or more at DC500V
- 4.Operating Temperature: -40 /+105
- 5.Twisting force: 0.2N.m/Max
- 6.Wire size: 14-24AWG
- 7.Storage condition: Under 85% humidity at normal temperature, shelf life: 1 year.

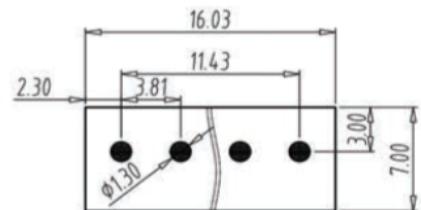
Materials and dimensions



No.	Designation	Materials	Specification
1	HOUSING	PA66(UL94V-0)	
2	PIN	BRASS	EP-Cu/Cu1-2 Sn3-5um

P.C.B

- 1.Wave soldering: the soldering temperature is 260C and the soldering time is 6 seconds at most
- 2.Hand soldering: 80W electric soldering and milling, about 400 times of soldering in 3 seconds



P.C.B. LAYOUT
● FOR PIN

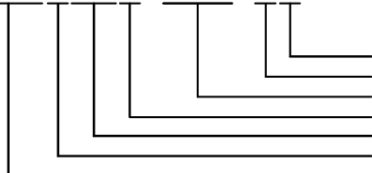
Receptacle

Type selection

Insertion-withdrawal type(Receptacle)

Serial code Sequence code feature code Identifying code

ZBK200R-XXP-XS



Screw specification: s—charater
Colour code :X-(unspecified)
Qty of cables (XXP unspecified)
R. Inline direction and insertion Direction level
Serial number for specification classification
Spacing code: 2-3.81mm
ZB- Company Code , K-Insertion-withdrawal type(Plug)

Packaging:

Package size: 20.0×23.0 (cm)

SHENZHEN KINGHELM ELECTRONIC CO., LTD.	WWW.BDS666.COM
KH-ZBF200V-4P-G	0755-83044319