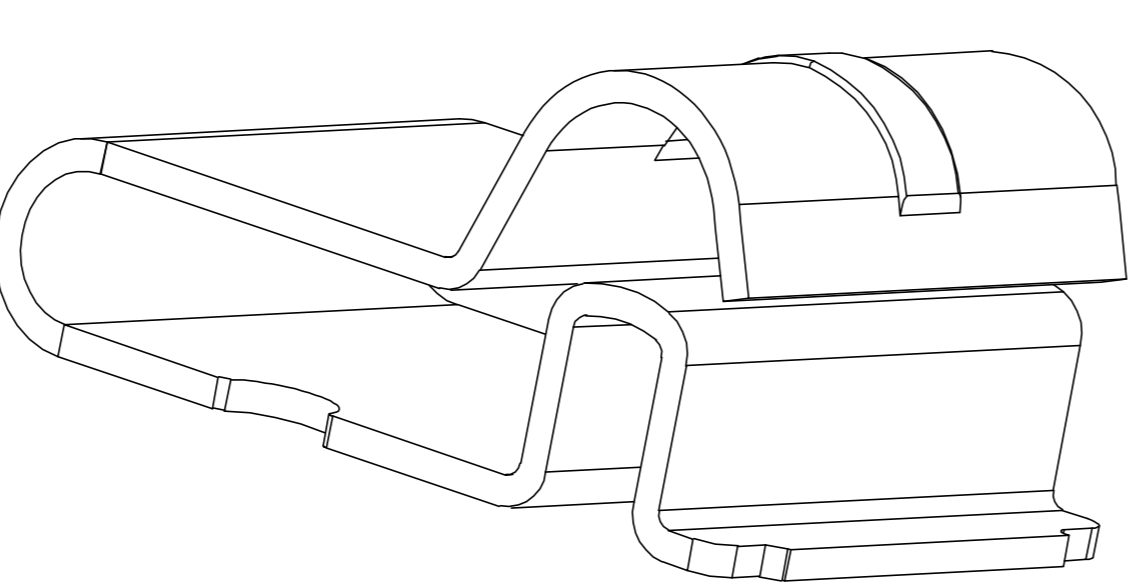
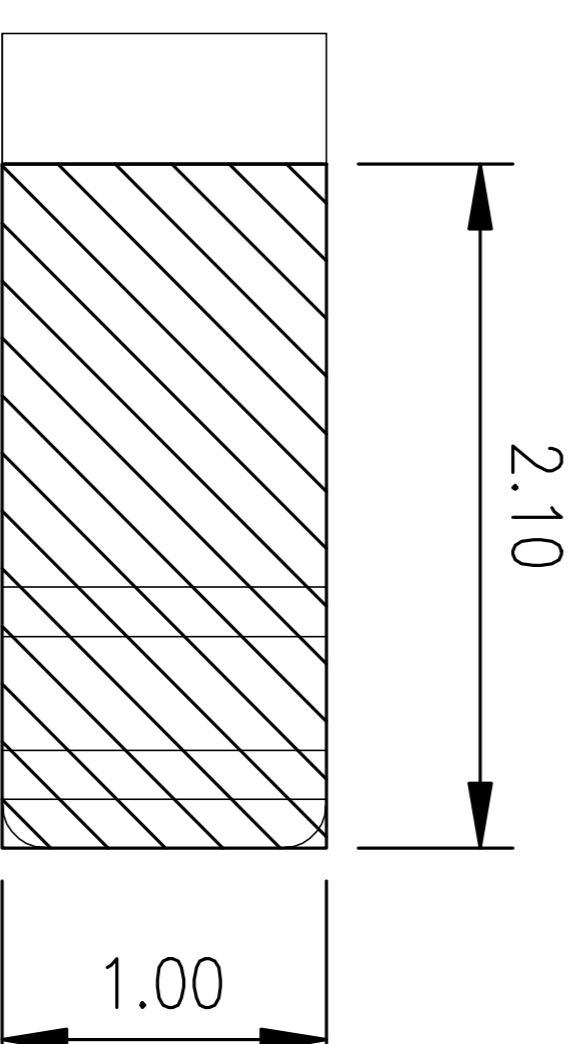
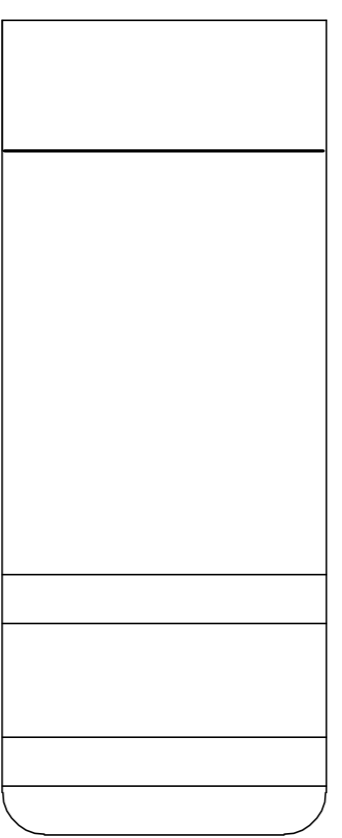
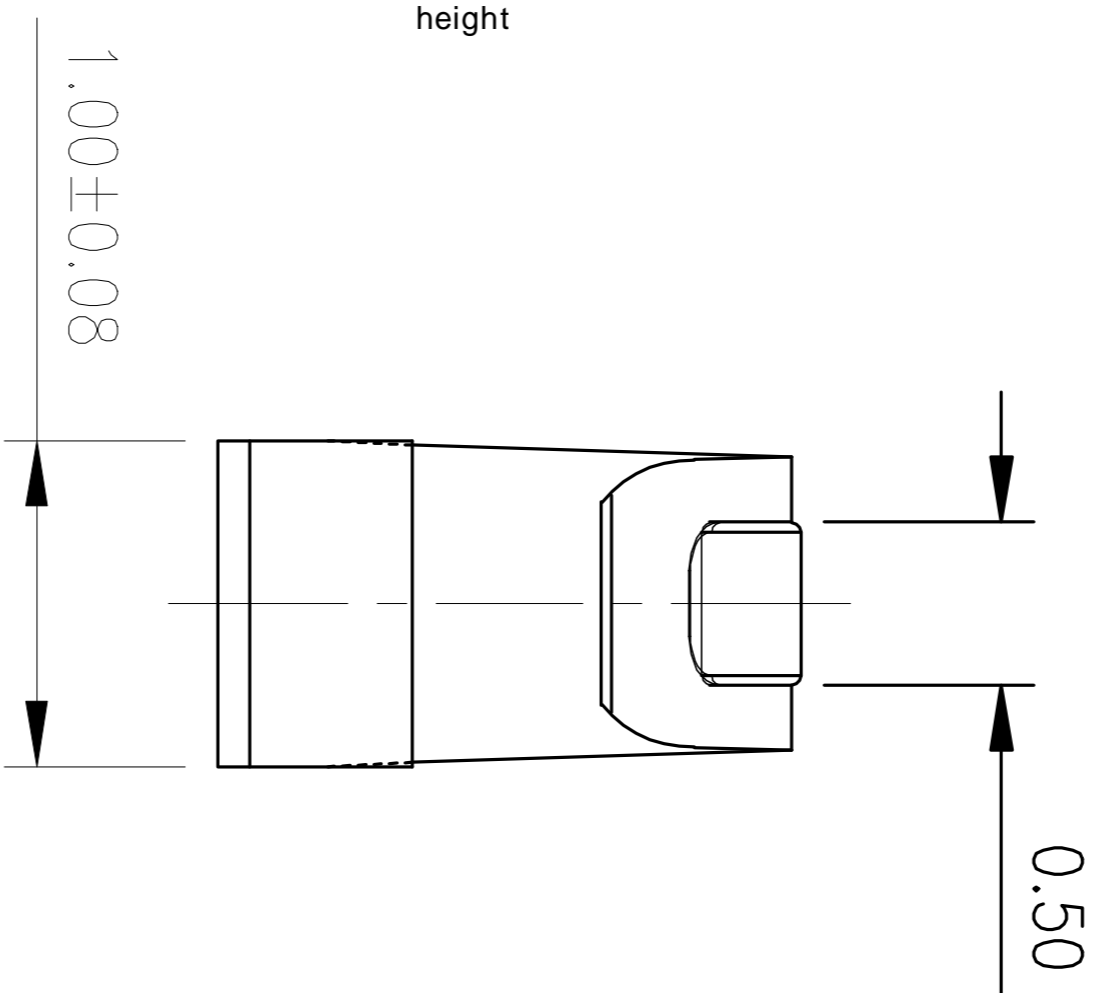
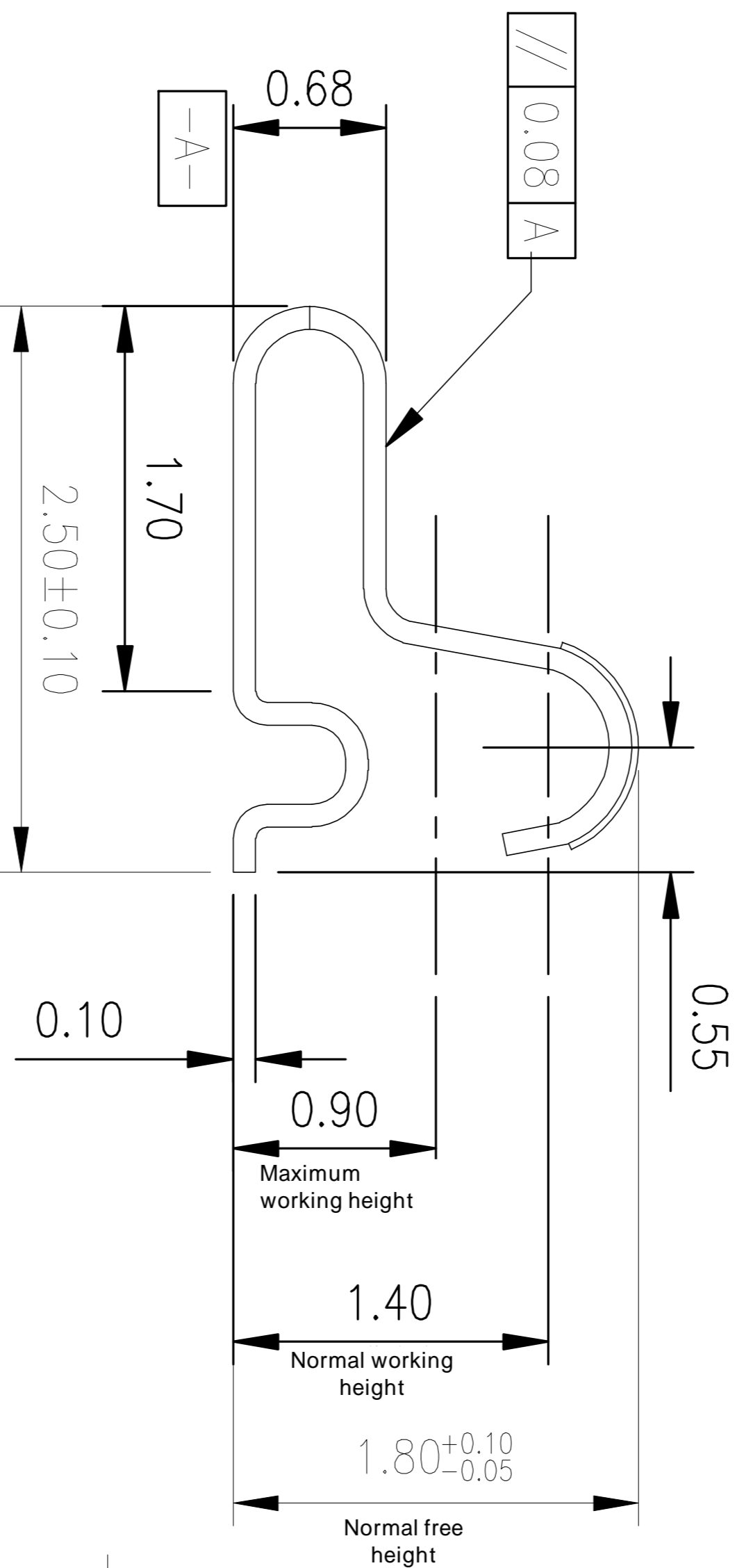
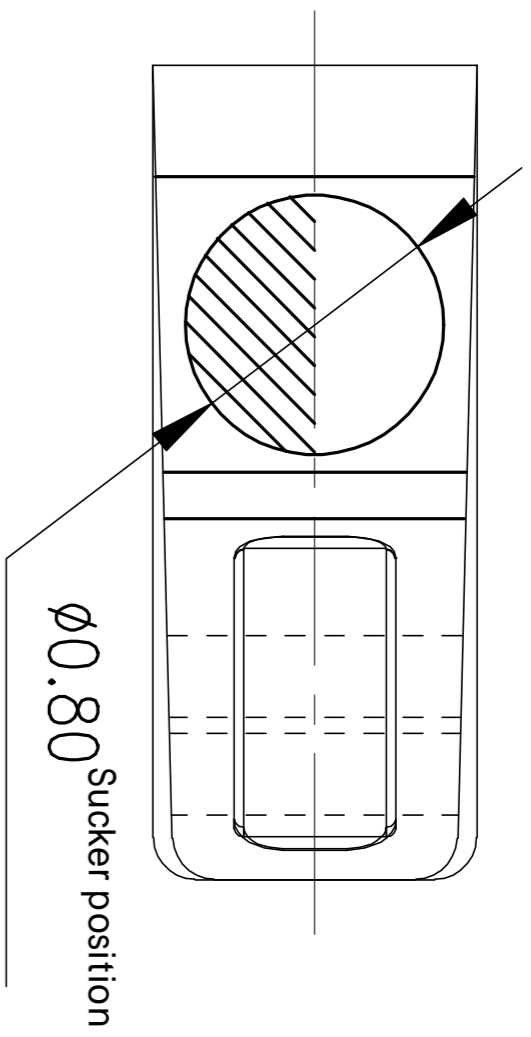


Rev.	ECN Number	Description	Date	Drawn	Checked	Approved

Specification

1. Material: stainless steel SUS301, T = 0.10 ± 0.005 ;
2. The welding and contact surfaces of the Tin terminal shall be free of burrs, and the maximum size of burrs in other parts shall be 0.03mm;
3. Twisting: $45^\circ / 1000\text{mm}$, arch $5\text{mm}/1000\text{mm}$;
4. Dimensions marked with "▼" shall be measured and inspected with emphasis;
5. Unmarked R Max R0.13;
6. Electroplating must be inspected by 48-hour salt spray test;
7. Life test > 20000 times The elasticity of the product shall be between 60gf and 80gf as required.
8. Ni 50~80u"min, soldering area gold-plating, contact area gold plating 1U"MIN



Size of bonding pad

Dimensional Tolerance ± 0.05

SHENZHEN KINGHELM ELECTRONIC CO., LTD.		SCALE: 1:1		DRAWN		DATE		DWG. NO.		TITLE		REV.	
WWW.BDS666.COM		GENERAL TOLERANCE		CHECK		DATE		681-0041C-2		Customer's drawing		A	
Model : KH-251018-TP		XX. ±0.50		APPROVE		DATE		PARTS NO.(INTENDED USE)		S4 Spring,SMT, C type		SHEET	
0755-83044319		X. ±0.35				DATE		JXH0041C2		L2.5*W1.0*H1.80mm		1/1	
		X° ±2.0°											
		.X ±0.25											
		.XX ±0.15											
		.X° ±1.0°											
		.XX° ±0.5°											
		UNIT: mm											
		SIZE: A4											