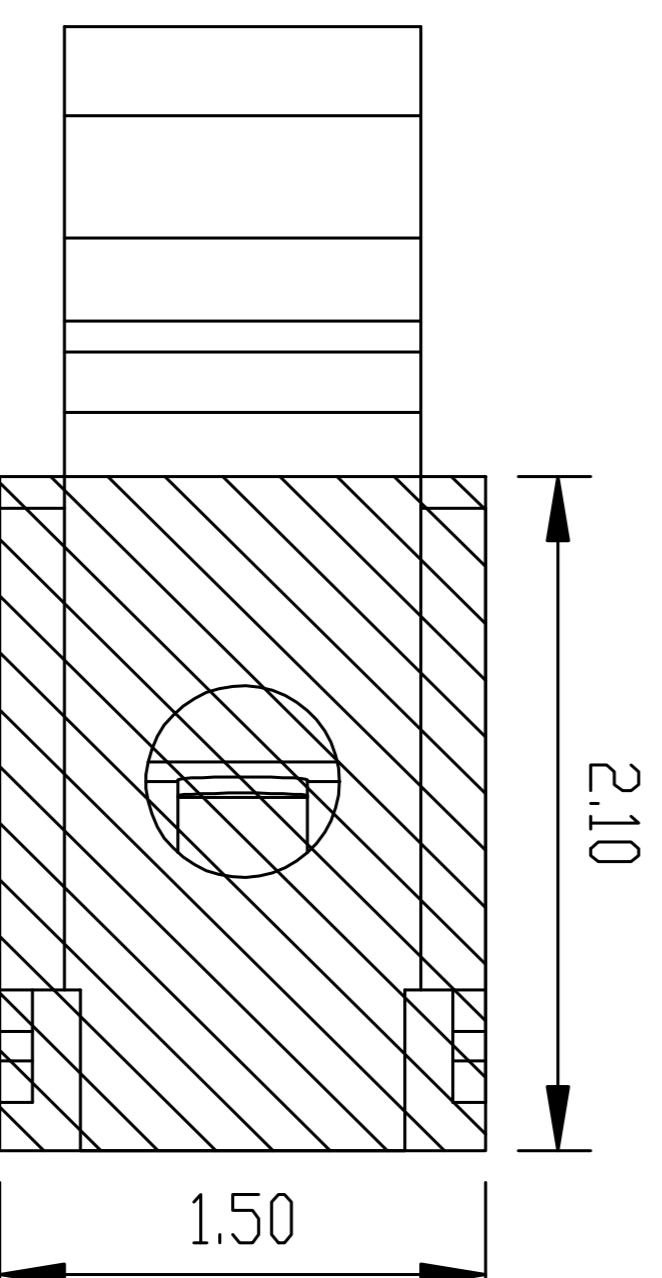
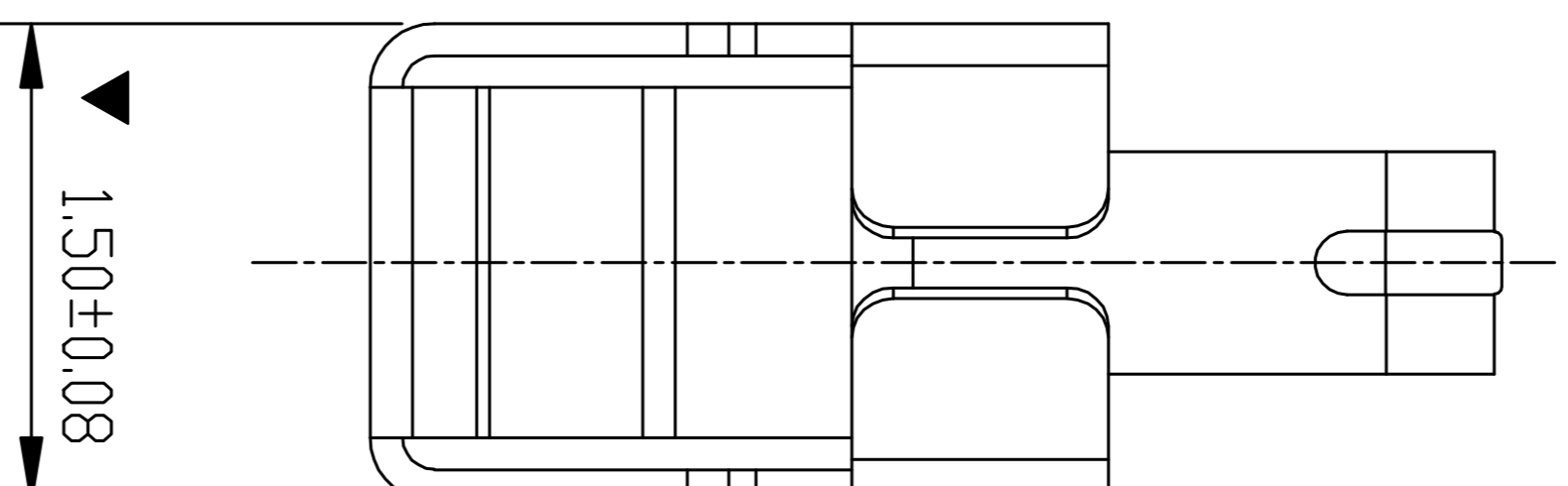
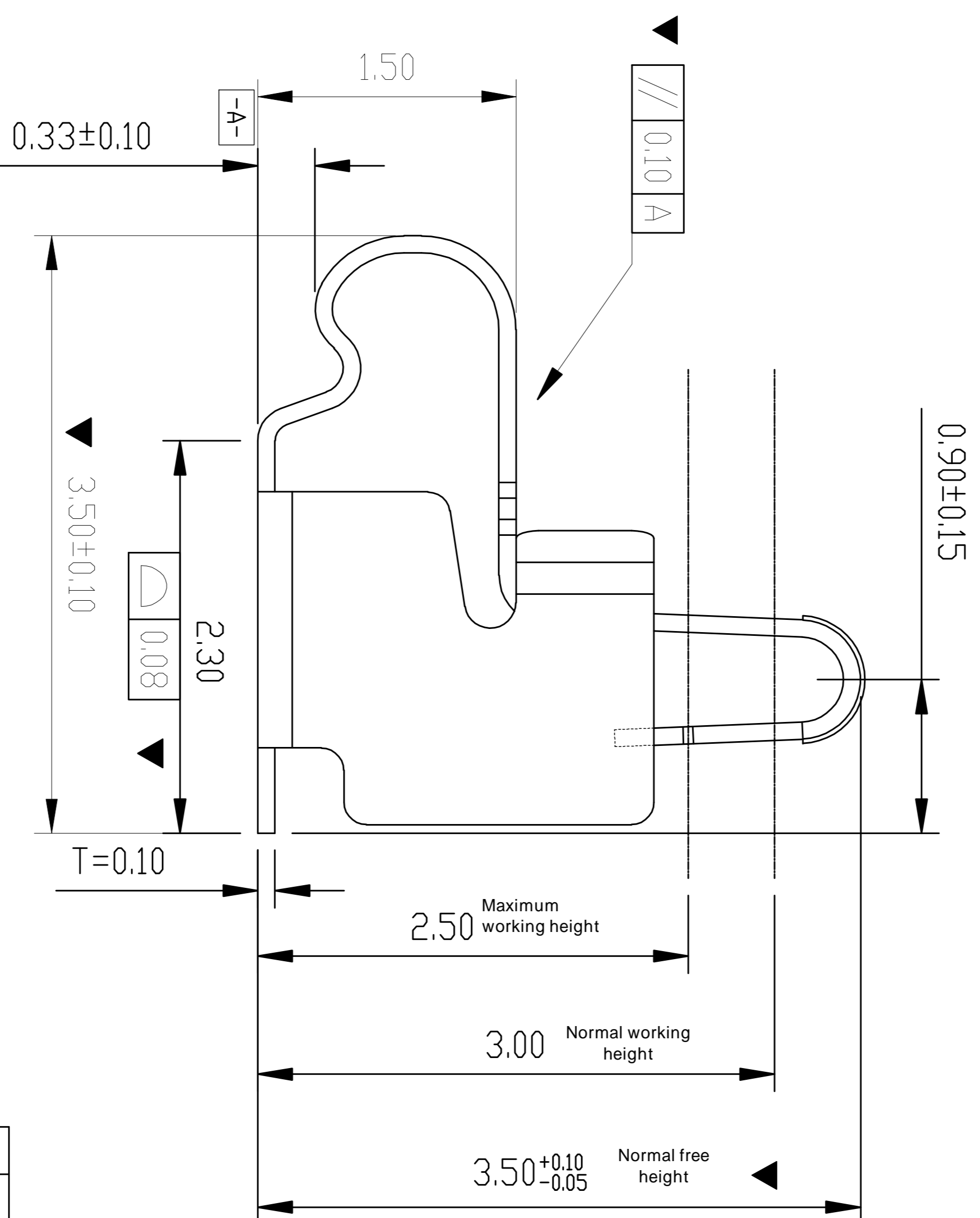
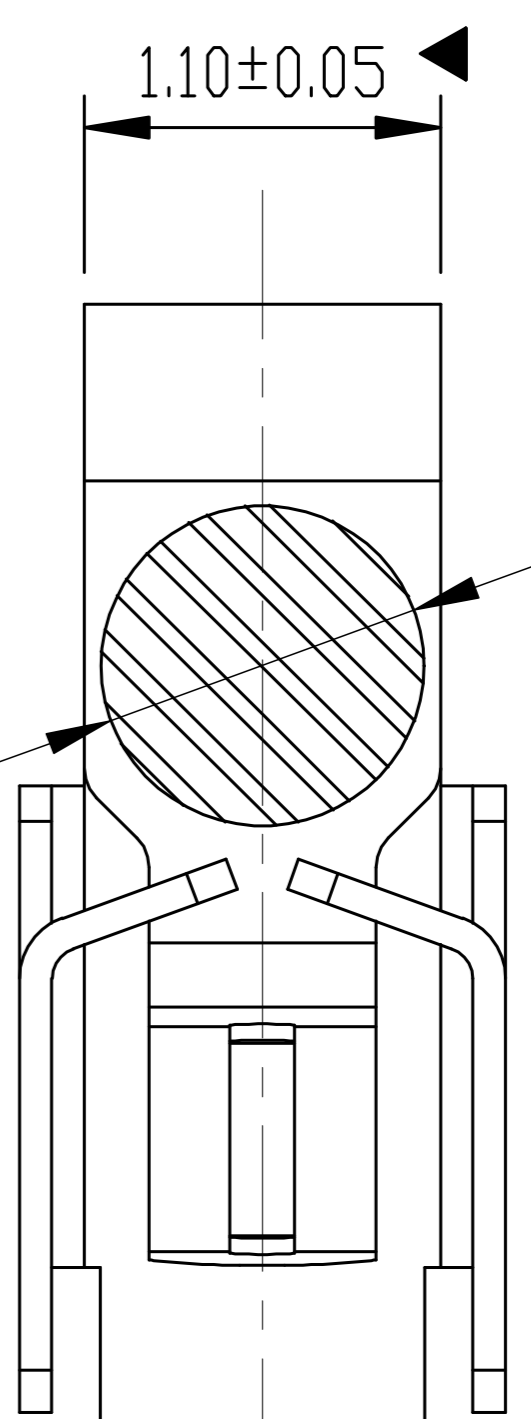


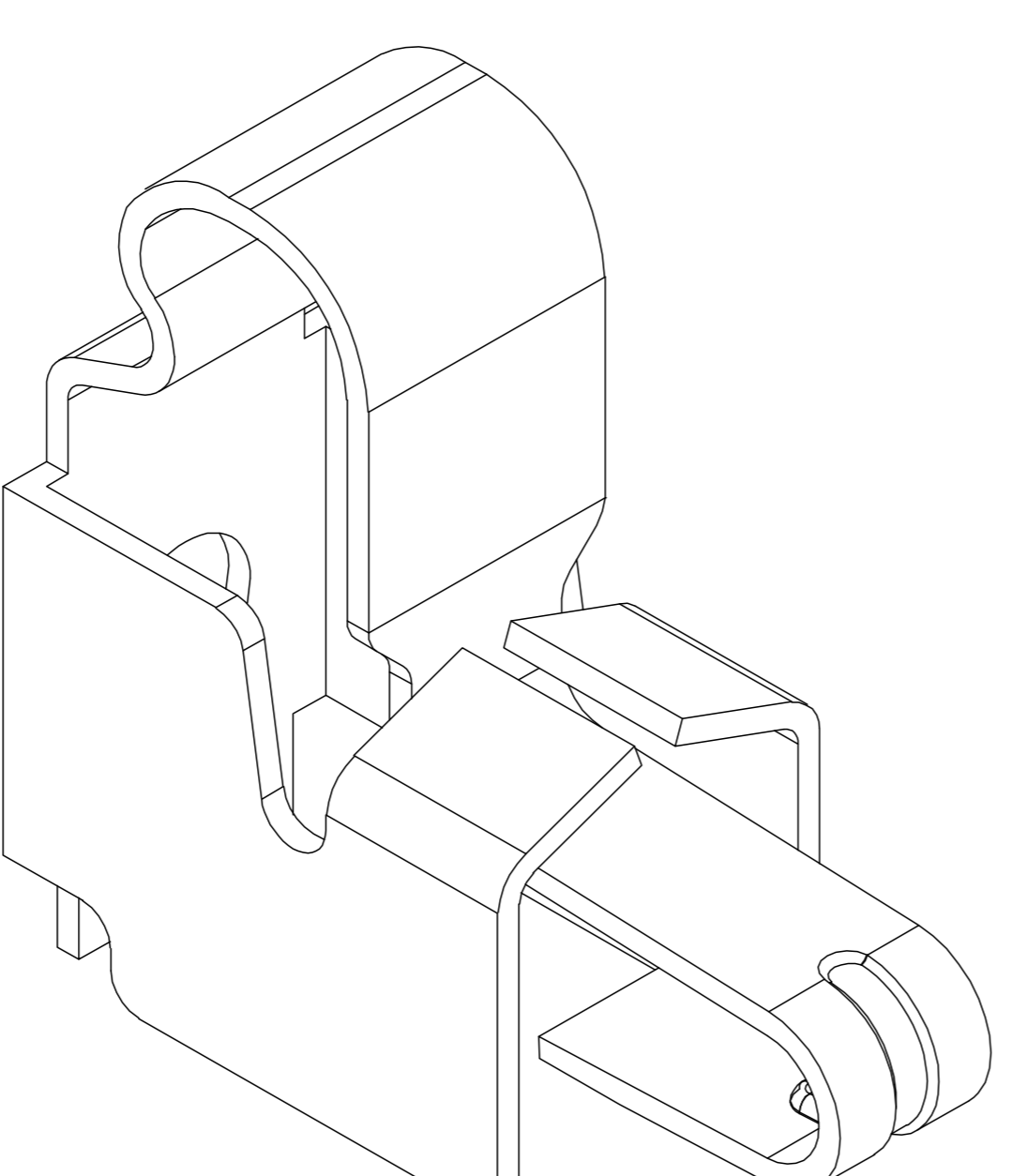
ϕ1.00 Sucker position



Dimensional Tolerance ±0.05

Specification

1. Material: stainless steel SUS304, $t = 0.10 \pm 0.005$;
- ▼ 2. The welding and contact surfaces of the Tin terminal shall be free of burrs, and the maximum size of burrs in other parts shall be 0.03mm;
3. Twisting: $45^\circ / 1000\text{mm}$, arch $5\text{mm}/1000\text{mm}$;
4. Dimensions marked with "▼" shall be measured and inspected with emphasis;
5. Unmarked R Max R0.13;
6. Electroplating must be inspected by 48-hour salt spray test;
7. Life test > 20000 times The elasticity of the product shall be between 60gf and 80gf as required.
8. Ni 50~80"min, soldering area gold-plating, contact area gold plating3U"MIN



SHENZHEN KINGHELM ELECTRONIC CO., LTD.

WWW.BDS66.COM

Model : KH-351535-TP

0755-83044319

GENERAL TOLERANCE

XX. ±0.50

X. ±0.35

.X ±0.25

.XX ±0.15

SCALE:

1:1

DRAWN

DATE

DWG. NO.

681-0019A-1

TITLE

Customer's drawing

REV.

A

CHECK

DATE

PARTS NO.(INTENDED USE)

FDX0019A1

RF Antenna Spring,SMT,

L3.5*W1.5*H3.5mm

SHEET

1/1

APPROVE

DATE

DATE

DATE

DATE

UNIT:

mm

SIZE:

A4