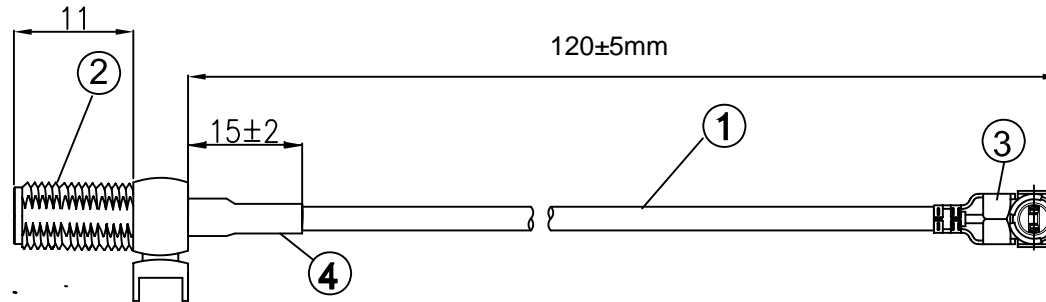


Kinghelm®

Model: KH-IPEX-SMAKWE-Q120H



NOTES:

1. ELECTRICAL:
 - 1.1. VOLTAGE RATING:DCV 300V 10MS
 - 1.2. CONDUCTANCE RESISTANCE: 3.0 OHM/MAX.
 - 1.3. INSULATION RESISTANCE: 5.0M OHM/MIN.
 - 1.4. THE CABLE SHOULD BE 100% ELECTRICAL TEST
 - 1.5. IT SHOULD BE NO ANY OPEN/SHORT, MISWIRING AND INTERMITTENT FAILURES
2. MATERIAL:
 - 2.1. SEE TABLE
3. ALL COMPONENTS ARE RoHS COMPLIANT.

| ITEM NO. | PATR NUMBER | DESCRIPTION | QTY |
|----------|---------------|---|-----|
| ④ | Tube | Black Heat-shrink Tube, OD:2.0MM | AS |
| ③ | Terminal | High-quality Copy I-PEX 1.13 Terminal, gold-plating | 1 |
| ② | Joint | SMA-K, with 4 terminalssplit-type with 11 screws, gold-plating(SMA-K) | 1 |
| ① | Coaxial Cable | RF 1.13 Black Cable, OD:1.13mm | AS |

| | | | |
|--|---|-----------------|--------------------------------|
| SHENZHEN KINGHELM ELECTRONIC CO., LTD. | | WWW.BDS666.COM | |
| KH-IPEX-SMAKWE-Q150H | | 0755-83044319 | |
| ALL DIMENSION ARE IN MM | DRAWN James | DATE 2020-04-15 | I-PEX 1.13 TO SMA /F L= 120 mm |
| | CHKD. Frank | 2020-04-15 | |
| COMPUTER GENERATED IN SOLIDWORKS | APPD. Scott | 2020-04-15 | |
| DO NOT SCALE THIS DRAWING | | | |
| PROJECTION | GENERAL TOLERANCE FOR ANGLES X.X X.XX X.XXX | | SIZE Number |
| | ± 1° ± 0.3 ± 0.25 ± 0.150 | | REV A |
| CUSTOMER P/N: | SCALE: Free | TYPE | SHEET 1 OF 1 |