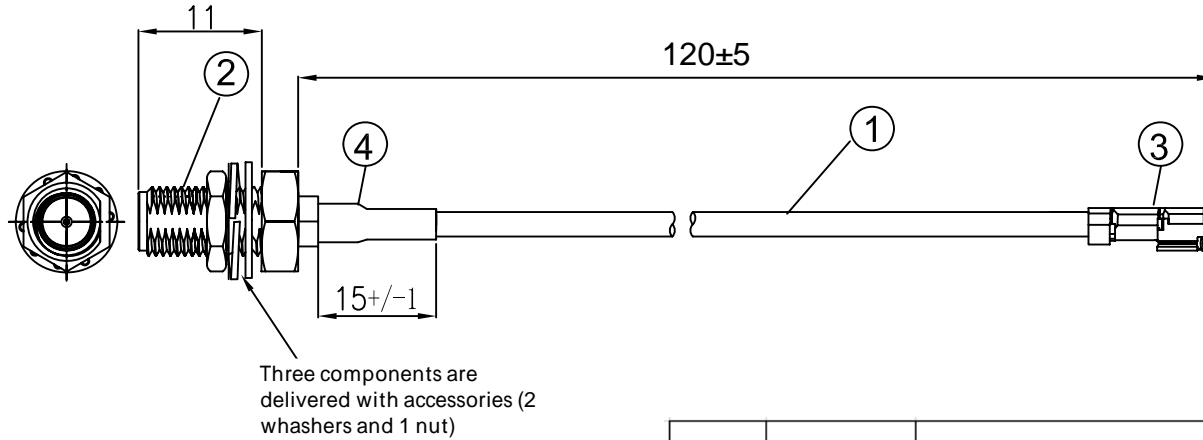


# Kinghelm®

Model: KH-IPEX3-SMA-RG081-120mm

REVISIONS					
REV	NUMBER	DESCRIPTION	DWN	CHK	DATE
A		DESIGN			



**NOTES:**

1. ELECTRICAL:
  - 1.1. VOLTAGE RATING:DCV 300V 10MS
  - 1.2. CONDUCTANCE RESISTANCE: 3.0 OHM/MAX.
  - 1.3. INSULATION RESISTANCE: 5.0M OHM/MIN.
  - 1.4. THE CABLE SHOULD BE 100% ELECTRICAL TEST
  - 1.5. IT SHOULD BE NO ANY OPEN/SHORT, MISWIRING AND INTERMITTENT FAILURES.
2. MATERIAL:
  - 2.1. SEE TABLE
3. ALL COMPONENTS ARE RoHS COMPLIANT.

ITEM NO.	PATR NUMBER	DESCRIPTION	QTY
④	Tube	Black Heat-shrink Tube, OD:2.0MM	AS
③	Terminal	High-quality Copy I-PEX 0.81 Terminal, gold-plating	1
②	Joint	SMA-K, split-type with 11 screws, gold-plating	1
①	Coaxial Cable	RF 0.81 Grey Cable, OD:0.81mm	AS

SHENZHEN KINGHELM ELECTRONIC CO., LTD.		WWW.BDS666.COM	
KH-IPEX3-SMA-RG081-120mm		0755-83044319	
ALL DIMENSION ARE IN MM	DRAWN Jamy	DATE 2020-06-18	I-PEX 0.81 3代 TO SMA /F L= 120mm
	ENG.		
COMPUTER GENERATED IN SOLIDWORKS	MFG.		
DO NOT SCALE THIS DRAWING	Q.A.		
PROJECTION	GENERAL TOLERANCE FOR ANGLES X.X X.XX X.XXX ± 1° ± 0.3 ± 0.25 ± 0.150		SIZE Number
CUSTOMER P/N:			REV A
	SCALE: Free	TYPE	SHEET 1 OF 1

D

C

B

A

D

C

B

A

4

3

2

1

4

3

2

1