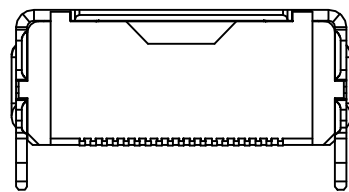
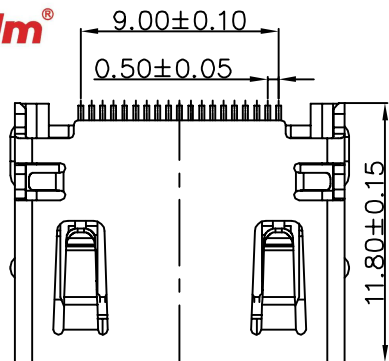
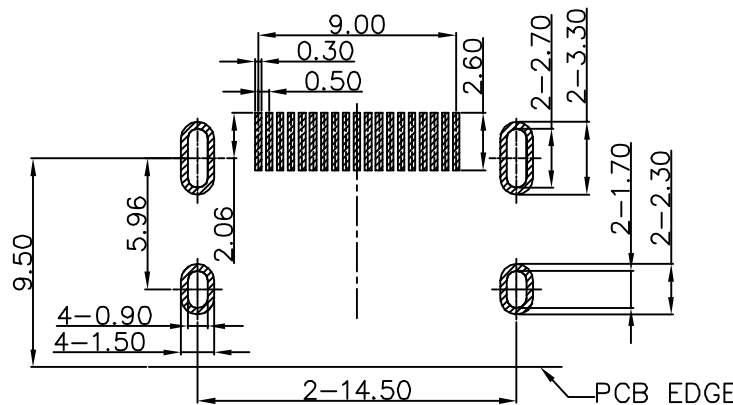
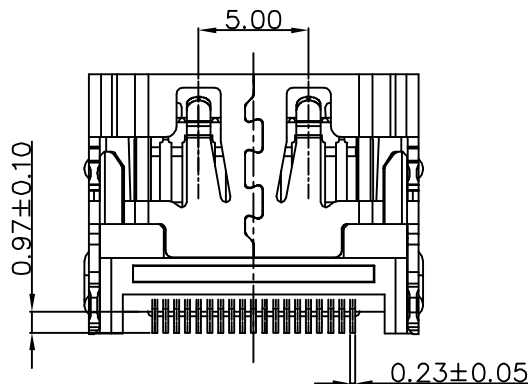
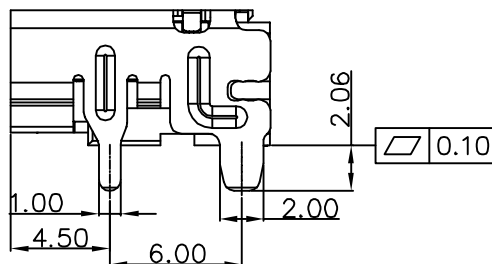
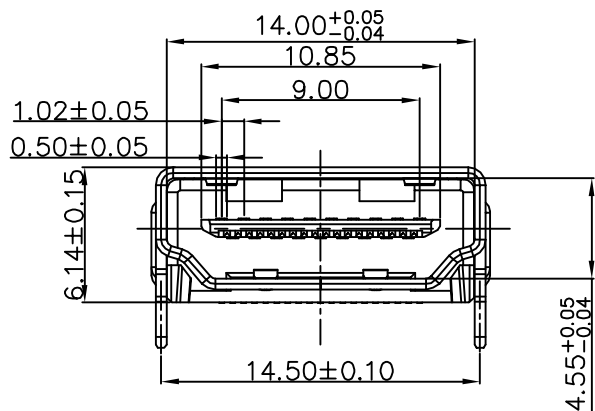


Kinghelm®



后视图



RECOMMEND PCB LAYOUT (T=1.00)

PCB TOLERANCE: ±0.05

1.Material:

InsertMolding:LCP UL 94V-0 Black
Contact:Copper alloy,T=0.20mm
Shell:SPCC,T=0.50mm

2.Electrical

- 1.1.Rated Voltage:40V AC/DC maximum
- 1.2.Rated Current:0.3A max.
- 1.3.Dielectric strength:150V AC/1 minute
- 1.4.Insulation Resistance:150V DC 10MΩ min.
- 1.5.Contact Resistance:30mΩ Max.

3.Mechanical

- 2.1.Insertion Force Max:4.0kgf max.
- 2.2.Removal Force Min:1.0kgf min. , 4.0kgf max.
- 2.3.Durability: 10000 cycles at 100±50 cycles per hour

4.Plating

- 4.1.Terminal:Contact area:1u" gold plate over 50u" Ni min.
Solder area:100u" pure TIN plate over 50u" Ni min.
- 4.2.Shell: Ni:100u"min.

5.Ambient Temperature:-55°C To +85°C

C	取消侧面凸点, 外壳脚增加凸筋, 修改下弹片	2018/07/21
B	取消外壳上卡点, 增加侧面凸点, 修改弹片宽度	2017/08/29
A	初版发行	2017/07/07
REV	DESCRIPTION	DATE

深圳市金航标电子有限公司		www.kinghelm.com.cn	
KH-HDMI-0005A-SMT		0755-28190160	
X. ± 0.30	APPD:	TITLE:	
.X ± 0.25	CHKD:	HDMI A 19P SMT 带卡点, 不带凸包	
.XX ± 0.20	DR:	PART NO:	
.XXX±		DWG NO: HD-0005	
X' ± 1"		UNITS: mm	SCALE: 1:1
.X' ± 0.5"		SHEET:10F1	
		REV: A	