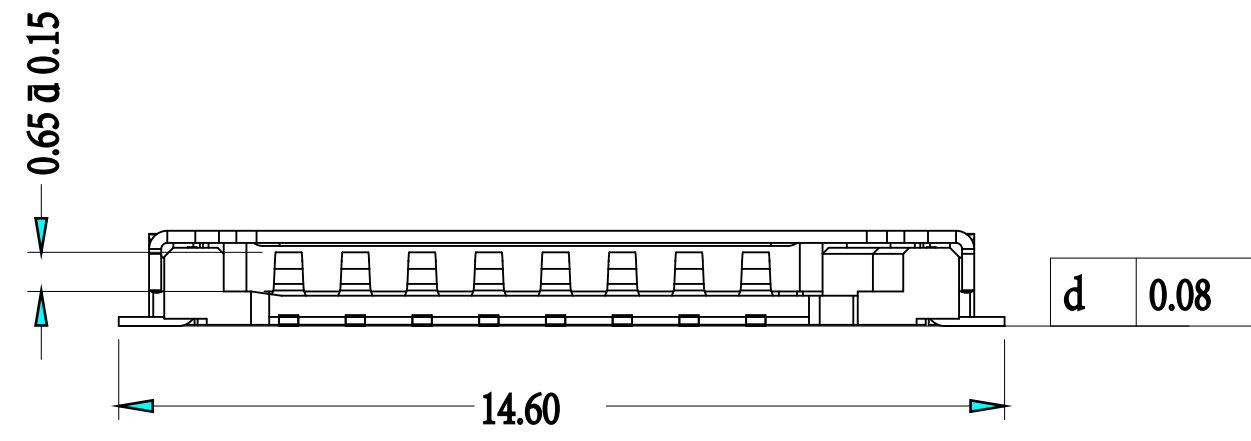
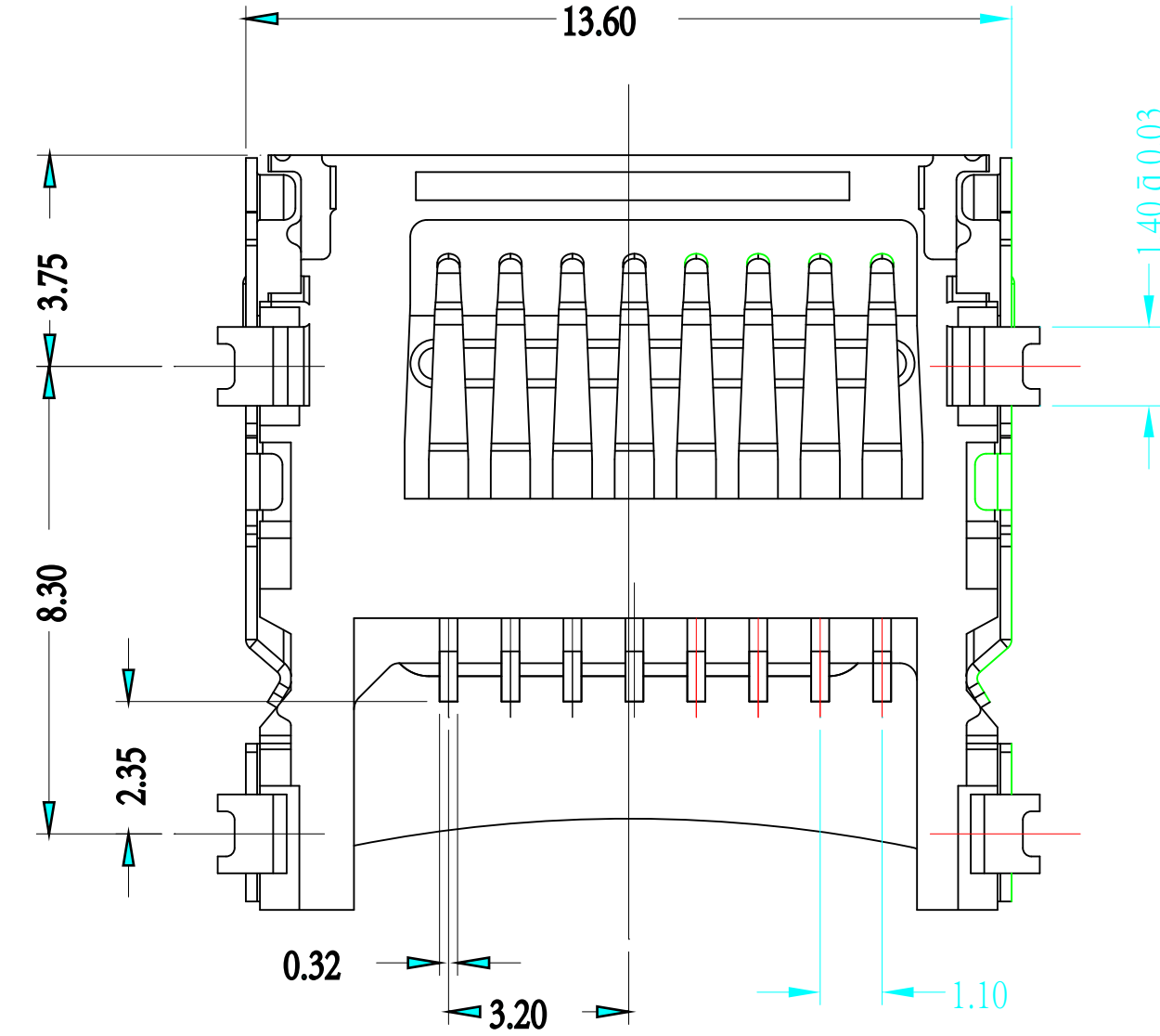
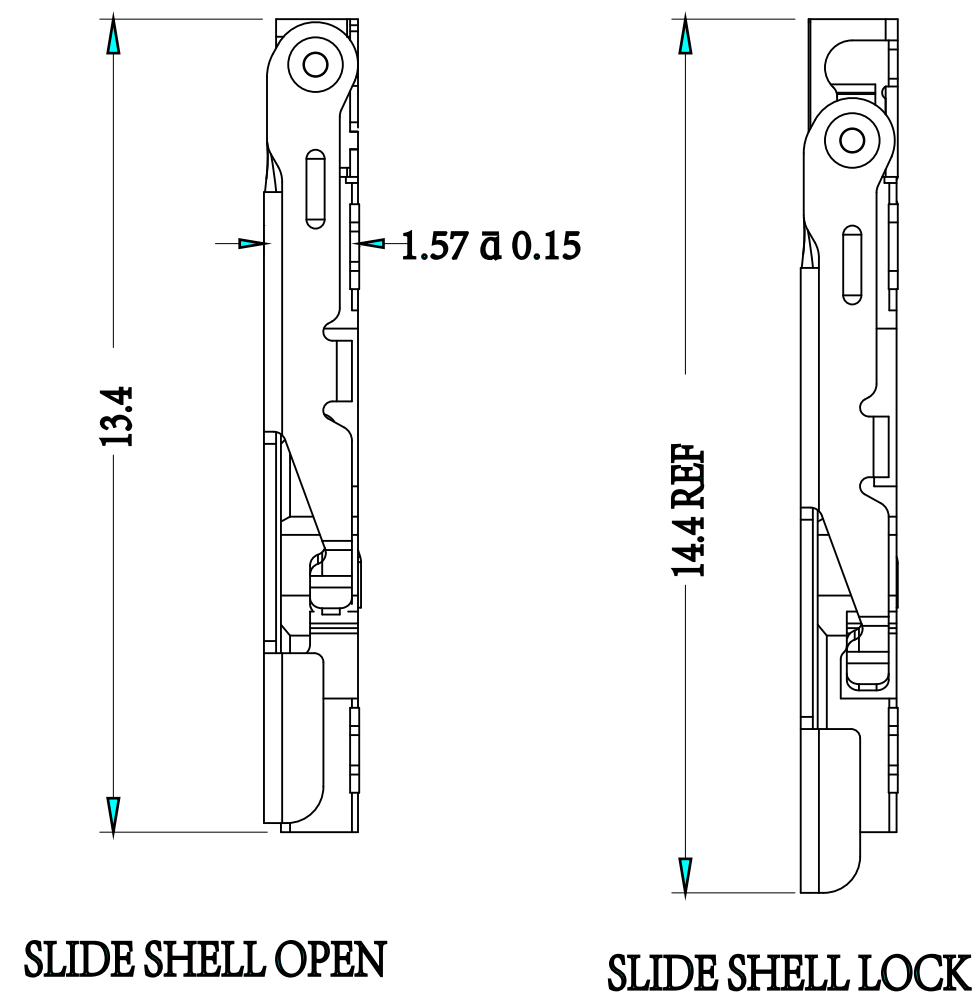
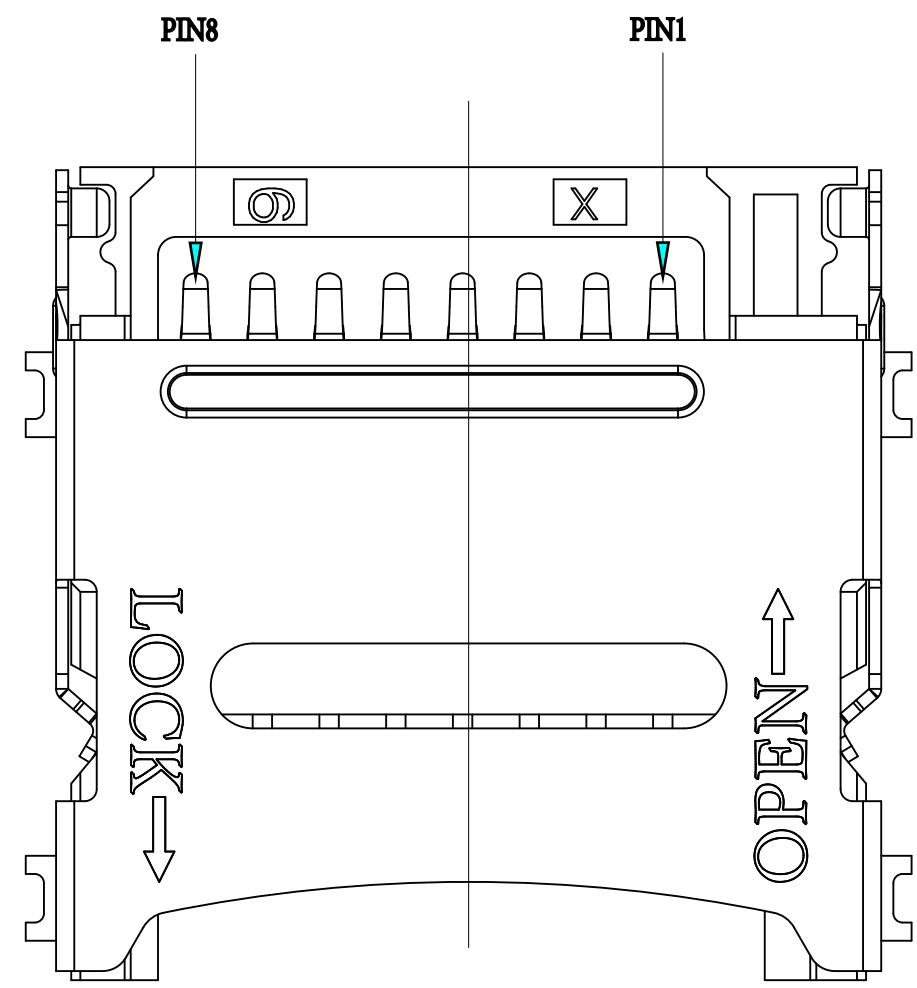


Kinghelm®

REV.	DESCRIPTION	DATE

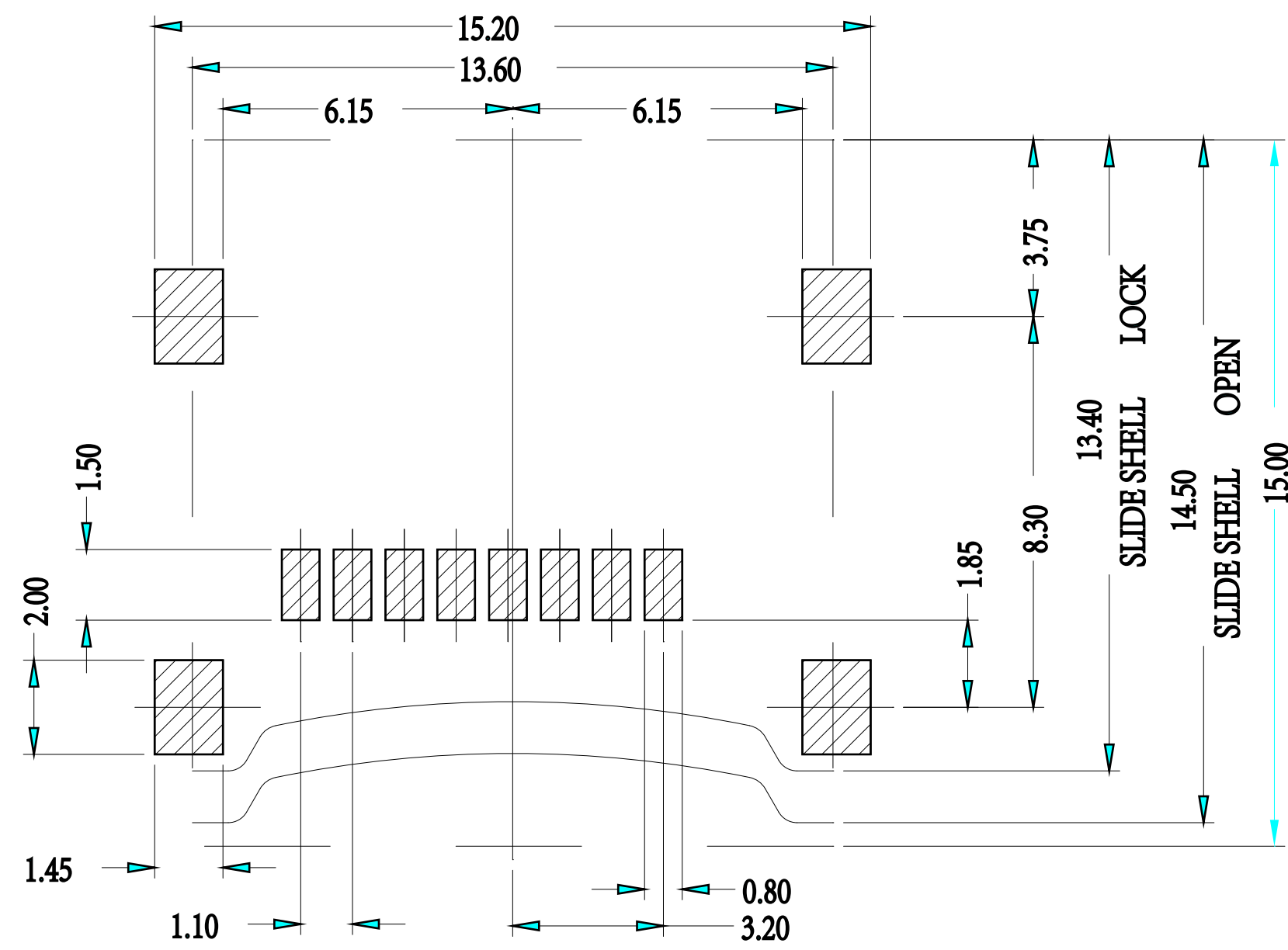
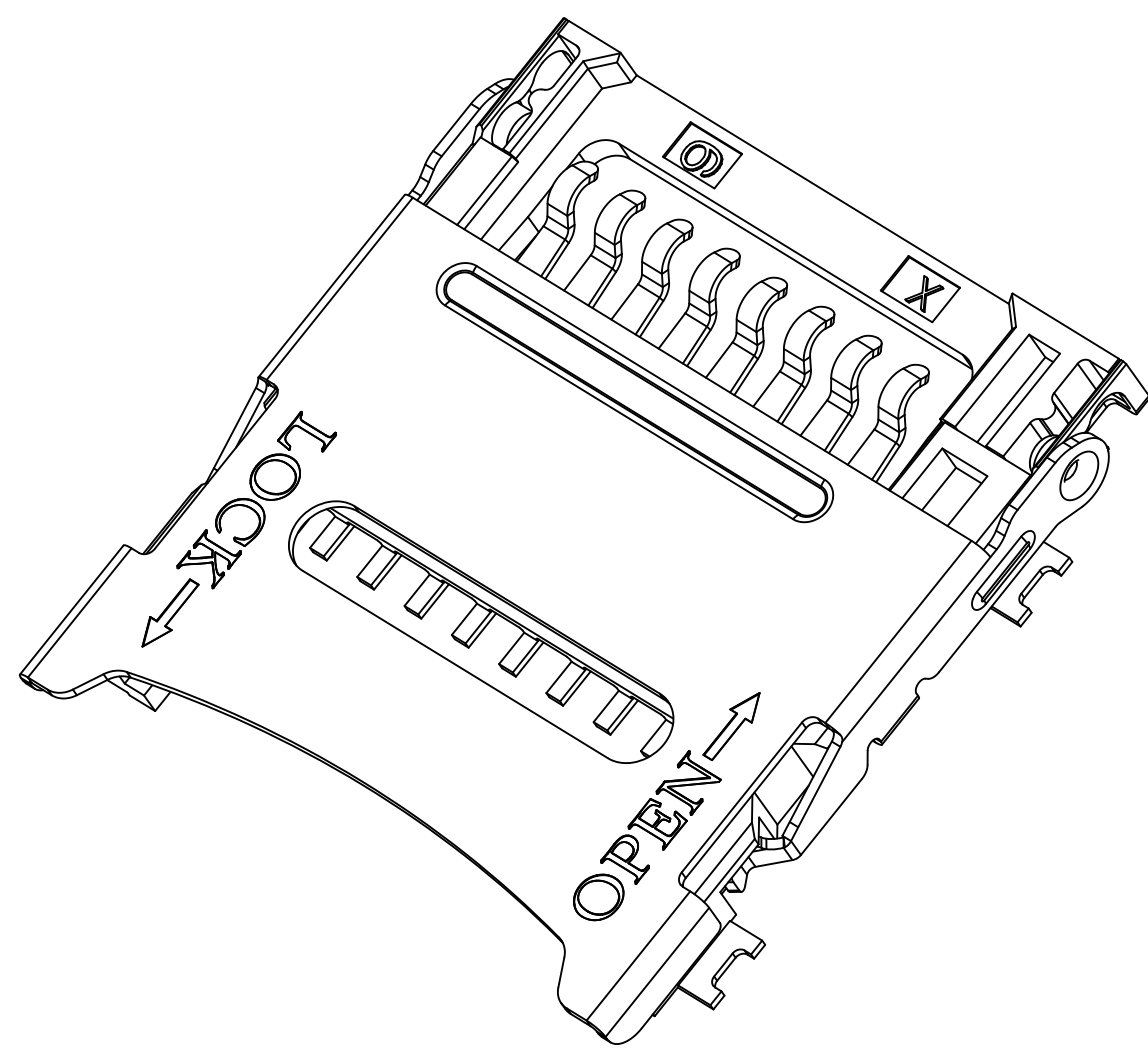


MATERIALS

- HOUSING : HI-TEMP PLASTIC UL 94V-0.
- TERMINAL: COPPER ALLOY.
PLATING: GOLD PLATED ON CONTACT AREA,
G/F GOLD PLATED ON SOLDER TAILS.
- SHELL : STAINLESS STEEL.

SPECIFICATION

- CURRENT RATING : 0.5A MAX.
- DIELECTRIC WITHSTANDING VOLTAGE :
500V AC R.M.S. FOR 1 MINUTE.
- INSULATION RESISTANCE : 100MΩ MIN. AT 500V DC.
- CONTACT RESISTANCE : 50mΩ MAX.
SWITCH RESISTANCE : 100mΩ MAX.
- OPERATING TEMPERATURE : -30° C TO +85° C.



RECOMMENDED PCB LAYOUT

—— 产品外形 ▨ 焊盘

TOLERANCE .0= ± 0.25 .00= ± 0.15 .000= ± 0.10 ANG.= ± 3°	DRAWER JERRY	深圳市金航标电子有限公司 www.kinghelm.com.cn 0755-28190160
	CHECK JERRY	
 UNITS : mm	APP'D HAWK	NAME T-FLASH CARD 1.5H(掀盖式)
	PRODUCT SPEC. —	DRAW NO. KH-TF08-H1.5
SCALE NONE	SIZE A8	SHEET 1 OF 1
	REV. A	