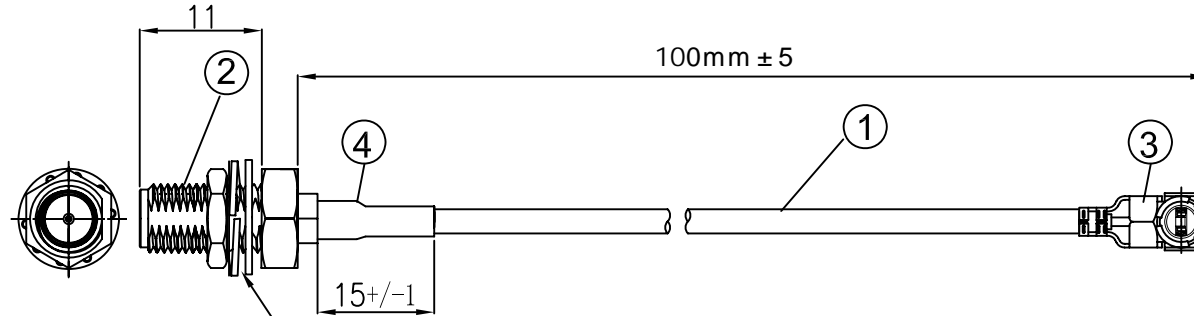


# Kinghelm®

REVISIONS					
REV	NUMBER	DESCRIPTION	DWN	CHK	DATE
A		DESIGN			



Three accessories are provided separately with the shipment (2 washers and 1 nut).

**NOTES:**

1. ELECTRICAL:
  - 1.1. VOLTAGE RATING:DCV 300V 10MS
  - 1.2. CONDUCTANCE RESISTANCE: 3.0 OHM/MAX.
  - 1.3. INSULATION RESISTANCE: 5.0M OHM/MIN.
  - 1.4. THE CABLE SHOULD BE 100% ELECTRICAL TEST
  - 1.5. IT SHOULD BE NO ANY OPEN/SHORT, MISWIRING AND INTERMITTENT FAILURES
2. MATERIAL:
  - 2.1. SEE TABLE
3. MECHANICALL:
  - 3.1. SMA PULL FORCE: 12.0KGS.
4. ALL COMPONENTS ARE RoHS COMPLIANT.

ITEM NO.	PART NUMBER	DESCRIPTION	QTY.
④	Sleeve	Black heat shrink tube, OD: 2.0mm	AS
③	Terminal	High imitation I-PEX, 1.37 terminal, gold-plated	1
②	Connector	SMA female inner pin, split type, 11 threads, gold-plated	1
①	Coaxial Cable	RF 1.37 black cable, OD: 1.37mm	AS

Shenzhen Kinghelm Electronics Co., Ltd. [www.kinghelm.net](http://www.kinghelm.net)

**KH-IPEX-SMA-RG137-100MM**

ALL DIMENSION ARE IN MM	DRAWN Jamy	DATE 2018 /05 /04	TITLE
	ENG.		RF CABLE I-PEX 1.37 TO SMA /F L=100 MM
COMPUTER GENERATED IN SOLIDWORKS	MFG.		
DO NOT SCALE THIS DRAWING	Q.A.		
PROJECTION	GENERAL TOLERANCE FOR ANGLES X.X X.XX X.XXX ± 1° ± 0.3 ± 0.25 ± 0.150		SIZE Number <b>B</b>
CUSTOMER P/N:			REV <b>A</b>
		SCALE: Free	TYPE SHEET 1 OF 1