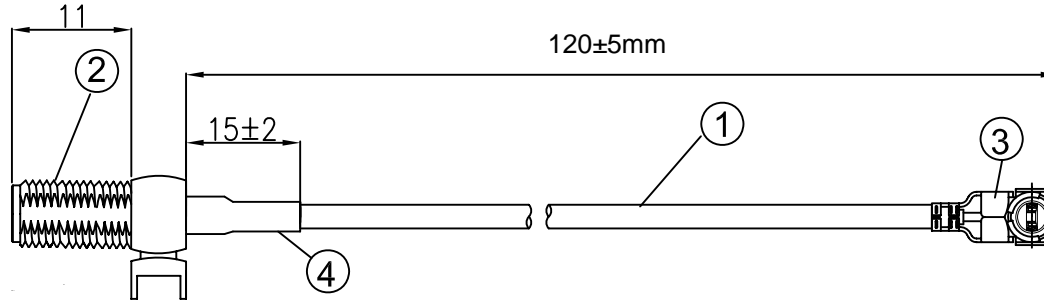


Kinghelm®

Model: KH-IPEX-SMAKWE-RG137-Q120MM



NOTES:

1. ELECTRICAL:
 - 1.1. VOLTAGE RATING:DCV 300V 10MS
 - 1.2. CONDUCTANCE RESISTANCE: 3.0 OHM/MAX.
 - 1.3. INSULATION RESISTANCE: 5.0M OHM/MIN.
 - 1.4. THE CABLE SHOULD BE 100% ELECTRICAL TEST
 - 1.5. IT SHOULD BE NO ANY OPEN/SHORT, MISWIRING AND INTERMITTENT FAILURES.
2. MATERIAL:
 - 2.1. SEE TABLE
3. ALL COMPONENTS ARE RoHS COMPLIANT.

| ITEM NO. | PART NUMBER | DESCRIPTION | QTY. |
|----------|---------------|---|------|
| ④ | Sleeve | Black heat shrink tube, OD: 2.0mm | AS |
| ③ | Terminal | High imitation I-PEX, 1.37 terminal, gold-plated | 1 |
| ② | Connector | High imitation I-PEX, 1.37 terminal, gold-plated | 1 |
| ① | Coaxial Cable | SMA female connector with female pin, 4 legs, 11 threads, gold-plated, external thread with inner hole, RF 1.37 black cable, OD: 1.37mm | AS |

| | | | |
|---|------------------------------|------------------|-----------------|
| Shenzhen Kinghelm Electronics Co., Ltd. | | www.kinghelm.net | |
| KH-IPEX-SMAKWE-RG137-Q120MM | | | |
| ALL DIMENSION ARE IN MM | DRAWN | James | DATE 2020-04-15 |
| | CHKD. | Frank | 2020-04-15 |
| COMPUTER GENERATED IN SOLIDWORKS | APPD. | Scott | 2020-04-15 |
| DO NOT SCALE THIS DRAWING | | | |
| PROJECTION | GENERAL TOLERANCE FOR ANGLES | | SIZE Number |
| | X.X X.XX X.XXX | | REV A |
| | ± 1° ± 0.3 ± 0.25 ± 0.150 | | SCALE: Free |
| CUSTOMER P/N: | | TYPE | SHEET 1 OF 1 |