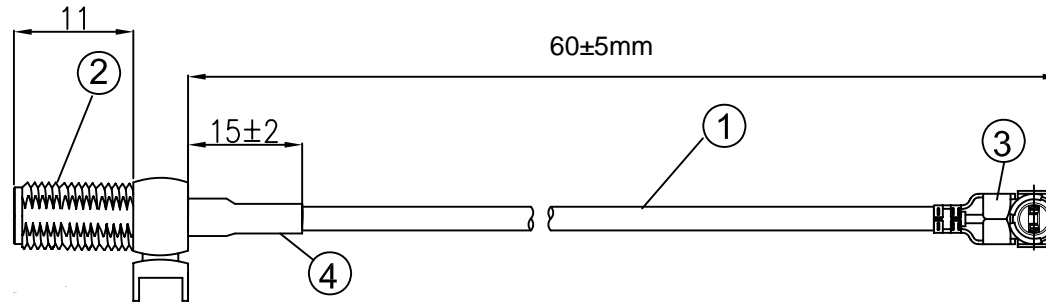


Kinghelm®

Model: KH-IPEX-SMAKWE-RG137-Q60MM



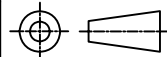
NOTES:

1. ELECTRICAL:
 - 1.1. VOLTAGE RATING:DCV 300V 10MS
 - 1.2. CONDUCTANCE RESISTANCE: 3.0 OHM/MAX.
 - 1.3. INSULATION RESISTANCE: 5.0M OHM/MIN.
 - 1.4. THE CABLE SHOULD BE 100% ELECTRICAL TEST
 - 1.5. IT SHOULD BE NO ANY OPEN/SHORT, MISWIRING AND INTERMITTENT FAILURES.
2. MATERIAL:
 - 2.1. SEE TABLE
3. ALL COMPONENTS ARE RoHS COMPLIANT.

ITEM NO.	PART NUMBER	DESCRIPTION	QTY.
④	Sleeve	Black heat shrink tube, OD: 2.0mm	AS
③	Terminal	High imitation I-PEX, 1.37 terminal, gold-plated	1
②	Connector	High imitation I-PEX, 1.37 terminal, gold-plated	1
①	Coaxial Cable	SMA female connector with female pin, 4 legs, 11 threads, gold-plated, external thread with inner hole, RF 1.37 black cable, OD: 1.37mm	AS

Shenzhen Kinghelm Electronics Co., Ltd.		www.kinghelm.net	
KH-IPEX-SMAKWE-RG137-Q60MM			
ALL DIMENSION ARE IN MM	DRAWN James	DATE 2020-04-15	I-PEX1.37 TO SMA /F L=60 mm
	CHKD. Frank	2020-04-15	
COMPUTER GENERATED IN SOLIDWORKS	APPD. Scott	2020-04-15	
DO NOT SCALE THIS DRAWING			
PROJECTION	GENERAL TOLERANCE FOR ANGLES X.X X.XX X.XXX ± 1° ± 0.3 ± 0.25 ± 0.150		SIZE Number
			REV A
CUSTOMER P/N:		SCALE: Free	SHEET 1 OF 1

CUSTOMER P/N:



D
C
B
A

D
C
B
A

4 3 2 1

4 3 2 1