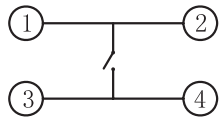
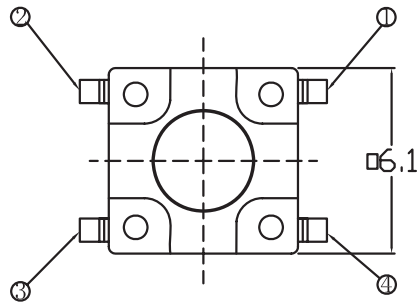
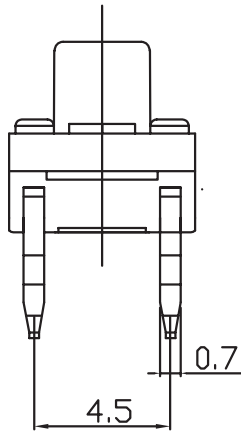
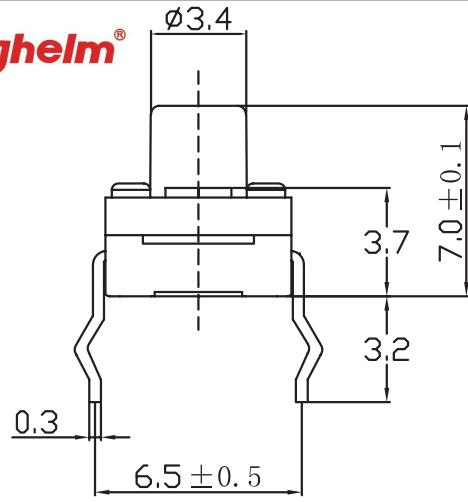
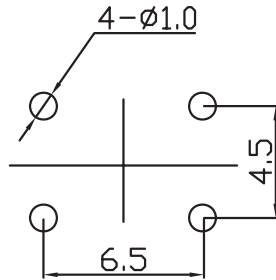


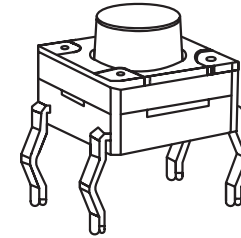
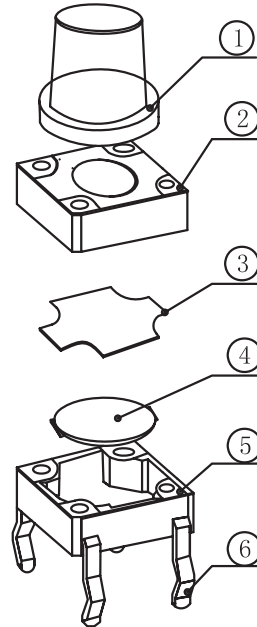
Kinghelm®



SCHMATIC



P. C. B. HOLE DETAIL



- 1. Rating: DC 12V 50mA
- 2. Travel: 0.3 ± 0.1mm
- 3. Operating Force: 250 ± 50gf
- 4. Contact Resistance: 50m Max.
- 5. Life: 100,000 Cycles Min.

Size range	tolerance values not specified
0~3	±0.1
3~6	±0.15
6~9	±0.2
9~12	±0.25
12~15	±0.3

No.	Description	Material	Color	Remarks
6	Insert	Brass	-----	Silver Plated
5	Base	PA66/PPA	Black	-----
4	Contact Spring	Stainless Steel	-----	Imported
3	Inner Cover Plate	PA66/PPA	Black	-----
2	Top Cover	PA66/PPA	Black	-----
1	Cap Head	PA66/PPA	Black	-----

Shenzhen Kinghelm Electronics Co., Ltd.			
KH-6X6X13H-TJ-FS		www.kinghelm.net	
CUSTOMER COPY	Internal View of Vertical Tact Switch Series		

ECN (DCN) NO	REV	DATE	DESCRIPTION	CHANGE	APPRO	GENERAL TOLERANCE UNLESS OTHERWISE NOTE	DESIGN	2010.12.26	TYPE NO:	(6x6xH mm Waterproof)
			Marketing Department				CHECH	2010.12.26	MATERIAL	
	PA	01/02/08					CHECK	2010.12.26	DRAWING:	A Status Code
							APPRO		SCALE	5:1 UNRT mm A4

